



DATA SHEET

FRABOPRESS SECURFRABO

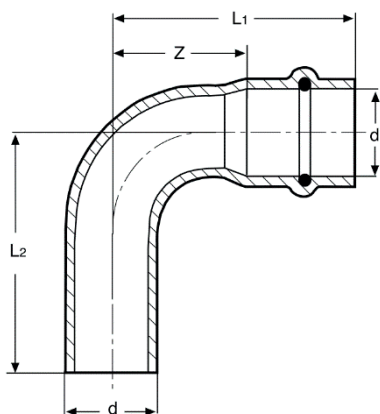
COPPER AND BRONZE PRESS FITTINGS

FRABOPRESS SECURFRABO

Copper and Bronze press fittings

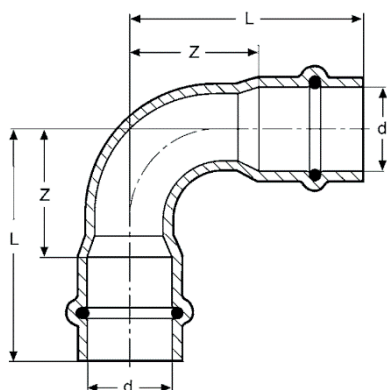


RS9001 90° elbow M/F

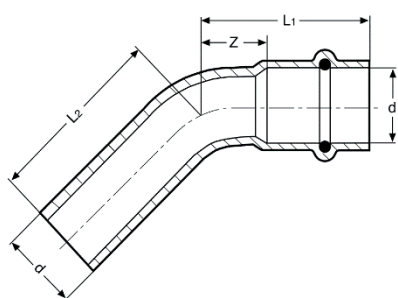


CODE	d	L1	Z	L2
RS9001012012000	12	33	15	34
RS9001015015000	15	40	18	42
RS9001018018000	18	45	22	47
RS9001022022000	22	51	27	52
RS9001028028000	28	59	34	61
RS9001035035000	35	68	42	70
RS9001042042000	42	87	51	88
RS9001054054000	54	105	65	107

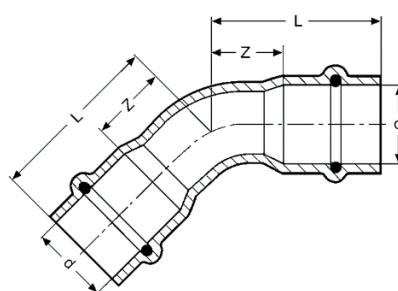
RS9002 90° elbow F/F



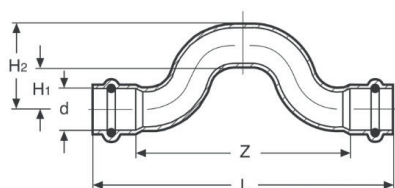
CODE	d	L	Z
RS9002012012000	12	33	15
RS9002015015000	15	40	18
RS9002018018000	18	45	22
RS9002022022000	22	47	23
RS9002028028000	28	59	34
RS9002035035000	35	68	42
RS9002042042000	42	87	51
RS9002054054000	54	105	65

RS9040 45° elbow M/F

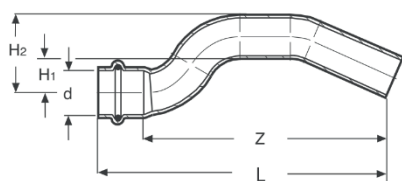
CODE	d	L1	Z	L2
RS9040012012000	12	25	7	26
RS9040015015000	15	29	7	30
RS9040018018000	18	31	8	32
RS9040022022000	22	34	10	36
RS9040028028000	28	38	13	40
RS9040035035000	35	43	17	45
RS9040042042000	42	53	17	55
RS9040054054000	54	68	28	70

RS9041 45° elbow F/F

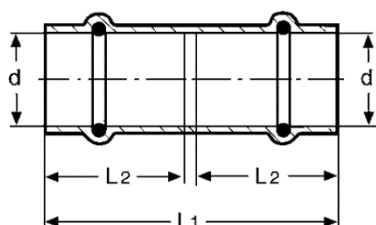
CODE	d	L	Z
RS9041012012000	12	25	7
RS9041015015000	15	29	7
RS9041018018000	18	31	8
RS9041022022000	22	34	10
RS9041028028000	28	38	13
RS9041035035000	35	43	17
RS9041042042000	42	53	17
RS9041054054000	54	68	28

RS9085 Full crossover F/F

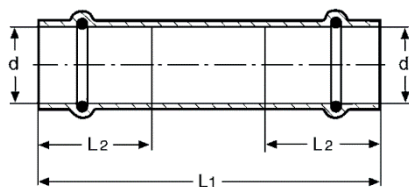
CODE	d	L	Z	H1	H2
RS9085012012000	12	152	116	28	34
RS9085015015000	15	152	110	27	35
RS9085018018000	18	176	130	28	37
RS9085022022000	22	198	150	30	41

RS9086 Partial crossover M/F

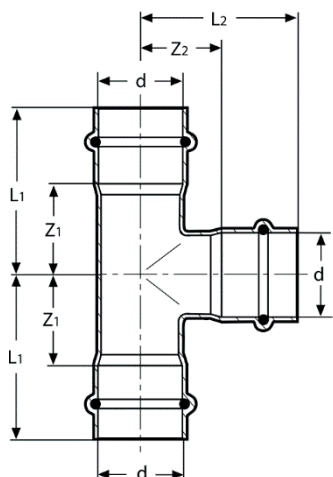
CODE	d	L	Z	H1	H2
RS9086012012000	12	152	116	28	34
RS9086015015000	15	152	110	27	35
RS9086018018000	18	176	130	28	37
RS9086022022000	22	198	150	30	41

RS9270 Coupling with end F/F

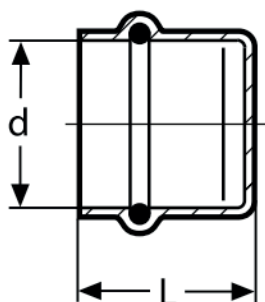
CODE	d	L1	L2
RS9270012012000	12	40	18
RS9270014014000	14	49	22
RS9270015015000	15	49	22
RS9270018018000	18	52	23
RS9270022022000	22	53	24
RS9270028028000	28	57	25
RS9270035035000	35	62	26
RS9270042042000	42	78	36
RS9270054054000	54	93	40

RS9271 Coupling F/F

CODE	d	L1	L2
RS9271012012000	12	58	18
RS9271015015000	15	82	22
RS9271018018000	18	92	23
RS9271022022000	22	97	24
RS9271028028000	28	107	25
RS9271035035000	35	114	26
RS9271042042000	42	142	41
RS9271054054000	54	163	45

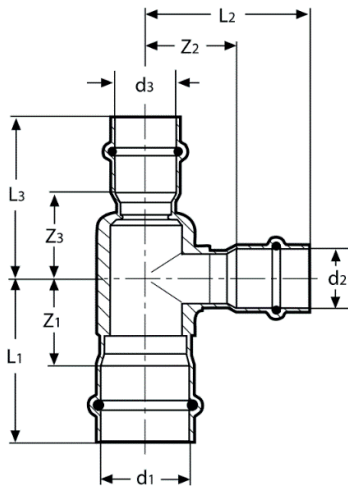
RS9130 Tee FFF

CODE	d	L1	L2	Z1	Z2
RS9130012012012	12	29	29	11	11
RS9130015015015	15	41	33	19	11
RS9130018018018	18	42	35	19	12
RS9130022022022	22	45	39	21	15
RS9130028028028	28	48	46	23	21
RS9130035035035	35	53	48	27	22
RS9130042042042	42	65	65	29	29
RS9130054054054	54	75	75	35	35

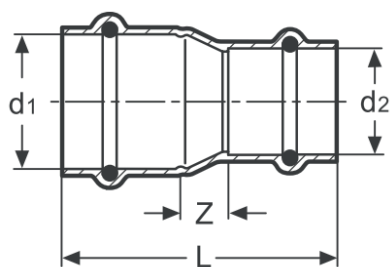
RS9301 Stop end F

CODE	d	L
RS9301012000000	12	21
RS9301015000000	15	25
RS9301018000000	18	26
RS9301022000000	22	27
RS9301028000000	28	28
RS9301035000000	35	30
RS9301042000000	42	40
RS9301054000000	54	45

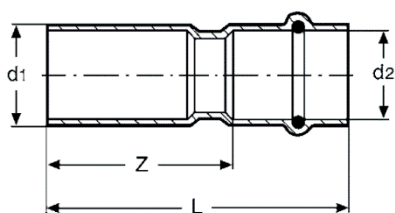
RS9131 Reducing Tee FFF



CODE	d1xd2xd3	L1	Z1	L2	Z2	L3	Z3
RS9131012015012	12x15x12	38	20	32	10	38	20
RS9131015012012	15x12x12	39	17	30	12	39	21
RS9131015012015	15x12x15	39	17	30	12	39	17
RS9131015015012	15x15x12	41	19	33	11	41	19
RS9131015018015	15x18x15	42	20	35	12	42	20
RS9131015022015	15x22x15	45	23	38	14	45	23
RS9131018012018	18x12x18	39	16	31	13	39	16
RS9131018015015	18x15x15	41	18	35	13	45	23
RS9131018015018	18x15x18	41	18	35	13	41	18
RS9131018018015	18x18x15	42	19	35	12	47	25
RS9131018022018	18x22x18	45	22	36	12	45	22
RS9131022012022	22x12x22	39	15	33	15	39	15
RS9131022015015	22x15x15	41	17	37	15	47	25
RS9131022015018	22x15x18	41	17	37	15	44	21
RS9131022015022	22x15x22	41	17	37	15	41	17
RS9131022018015	22x18x15	42	18	37	14	50	28
RS9131022018018	22x18x18	42	18	37	14	47	24
RS9131022018022	22x18x22	42	18	37	14	42	18
RS9131022022015	22x22x15	45	21	38	14	51	29
RS9131022022018	22x22x18	45	21	38	14	51	28
RS9131022028022	22x28x22	48	24	39	14	48	24
RS9131028015022	28x15x22	41	16	41	19	45	21
RS9131028015028	28x15x28	41	16	41	19	41	16
RS9131028018022	28x18x22	42	17	41	18	47	23
RS9131028018028	28x18x28	42	17	41	18	42	17
RS9131028022022	28x22x22	45	20	42	18	50	26
RS9131028022028	28x22x28	45	20	42	18	45	20
RS9131028028022	28x28x22	48	23	43	18	53	29
RS9131035015035	35x15x35	44	18	44	22	44	18
RS9131035018035	35x18x35	44	18	44	21	44	18
RS9131035022028	35x22x28	46	20	45	21	52	27
RS9131035022035	35x22x35	46	20	45	21	46	20
RS9131035028028	35x28x28	49	23	46	21	55	30
RS9131035028035	35x28x35	49	23	46	21	49	23
RS9131042022042	42x22x42	53	17	52	28	53	17
RS9131042028042	42x28x42	55	19	53	28	55	19
RS9131042035042	42x35x42	58	22	55	29	58	22
RS9131054022054	54x22x54	60	20	58	34	60	20
RS9131054028054	54x28x54	63	23	59	34	63	23
RS9131054035054	54x35x54	68	28	61	35	68	28
RS9131054042054	54x42x54	69	29	71	35	69	29

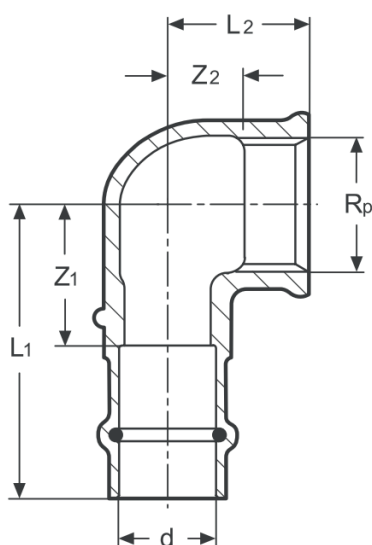
RS9240 Reducing coupler F/F

CODE	d1xd2	L	Z
RS9240015012000	15x12	46	6
RS9240018015000	18x15	50	5
RS9240022015000	22x15	58	12
RS9240022018000	22x18	55	8
RS9240028022000	28x22	58	9
RS9240035028000	35x28	62	11
RS9240042035000	42x35	73	11
RS9240054042000	54x42	95	19

RS9243 Fitting reducer M/F

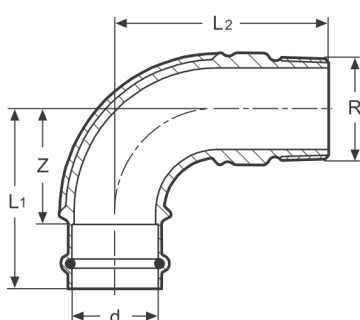
CODE	d1xd2	L	Z
RS9243015012000	15x12	44	26
RS9243018012000	18x12	47	29
RS9243018015000	18x15	50	28
RS9243022015000	22x15	56	34
RS9243022018000	22x18	52	29
RS9243028015000	28x15	60	38
RS9243028018000	28x18	59	36
RS9243028022000	28x22	58	34
RS9243035022000	35x22	64	40
RS9243035028000	35x28	59	34
RS9243042022000	42x22	76	52
RS9243042028000	42x28	74	49
RS9243042035000	42x35	68	42
RS9243054035000	54x35	89	63
RS9243054042000	54x42	90	54

RS8090 90° elbow female Rp Thread



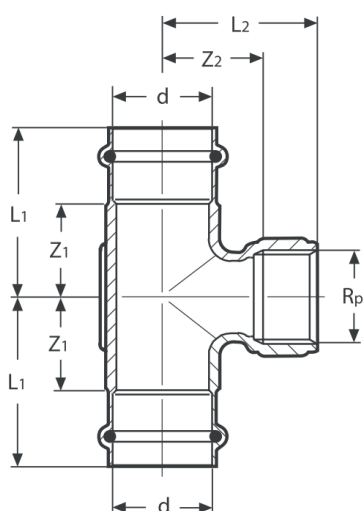
CODE	Rpxd	L1	L2	Z1	Z2
RS8090A38012000	3/8x12	44	18	26	9
RS8090A38015000	3/8x15	47	19	25	10
RS8090A12012000	1/2x12	44	22	26	11
RS8090A12015000	1/2x15	45	24	23	13
RS8090A12018000	1/2x18	47	24	24	13
RS8090A12022000	1/2x22	49	24	25	13
RS8090A34015000	3/4x15	49	31	27	16
RS8090A34018000	3/4x18	50	24	27	9
RS8090A34022000	3/4x22	49	29	25	6
RS8090A34028000	3/4x28	55	30	30	15
RS8090B01022000	1x22	60	33	36	10
RS8090B01028000	1x28	61	33	36	9
RS8090B14035000	1.1/4x35	67	40	41	22
RS8090B12042000	1.1/2x42	77	43	41	25
RS8090C02054000	2x54	97	57	57	39

RS8092 90° elbow F, R Thread



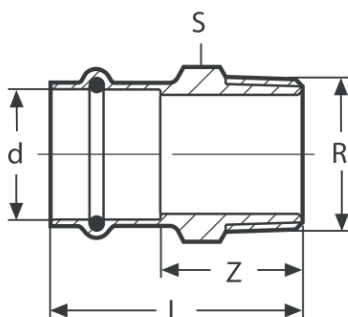
CODE	Rxd	L1	L2	Z
RS8092A38012000	3/8x12	42	32	24
RS8092A38015000	3/8x15	42	32	20
RS8092A12012000	1/2x12	43	34	25
RS8092A12015000	1/2x15	44	34	22
RS8092A12018000	1/2x18	47	49	24
RS8092A34018000	3/4x18	49	50	26
RS8092A34022000	3/4x22	55	39	31
RS8092B01028000	1x28	59	73	34
RS8092B14035000	1.1/4x35	70	86	44
RS8092B12042000	1.1/2x42	87	95	51
RS8092C02054000	2x54	110	118	66

RS8130 Female equal tee, Rp thread



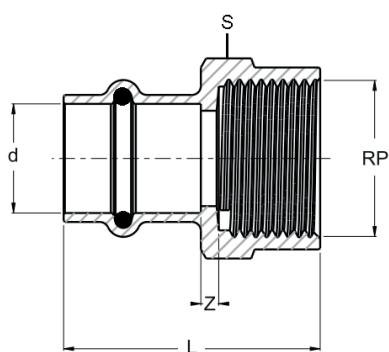
CODE	Rpxd	L1	L2	Z1	Z2
RS8130015A38015	3/8x15	43	22	21	12
RS8130012A12012	1/2x12	44	23	26	13
RS8130015A12015	1/2x15	45	23	23	13
RS8130018A12018	1/2x18	47	24	24	14
RS8130022A12022	1/2x22	48	25	24	15
RS8130028A12028	1/2x28	53	50	28	35
RS8130035A12035	1/2x35	49	38	23	23
RS8130042A12042	1/2x42	55	50	19	35
RS8130054A12054	1/2x54	67	54	27	39
RS8130022A34022	3/4x22	53	31	29	16
RS8130028A34028	3/4x28	53	50	27	35
RS8130028B01028	1x28	56	35	30	20

RS8243 Coupling F, R thread



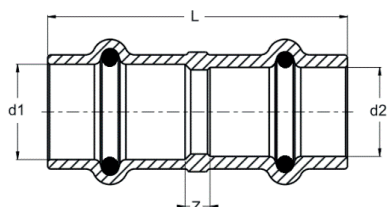
CODE	Rxd	L	Z	S
RS8243A38012000	3/8x12	40	22	21
RS8243A38015000	3/8x15	44	22	25
RS8243A12012000	1/2x12	43	25	21
RS8243A12015000	1/2x15	46	24	25
RS8243A12018000	1/2x18	48	25	27
RS8243A12022000	1/2x22	49	25	32
RS8243A34015000	3/4x15	48	26	28
RS8243A34018000	3/4x18	49	26	28
RS8243A34022000	3/4x22	51	27	32
RS8243A34028000	3/4x28	52	27	38
RS8243B01022000	1x22	52	28	34
RS8243B01028000	1x28	54	29	38
RS8243B01035000	1x35	58	32	46
RS8243B14028000	1.1/4x28	58	33	42
RS8243B14035000	1.1/4x35	60	34	46
RS8243B14042000	1.1/4x42	75	39	56
RS8243B12035000	1.1/2x35	60	34	48
RS8243B12042000	1.1/2x42	75	39	56
RS8243B12054000	1.1/2x54	81	41	68
RS8243C02054000	2x54	86	46	68

RS8270 Coupling F, Rp thread

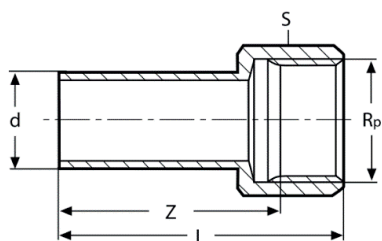


CODE	Rpxd	L	Z	S
RS8270A38012000	3/8x12	35	5	25
RS8270A38015000	3/8x15	36	2	25
RS8270A12012000	1/2x12	36	3	25
RS8270A12015000	1/2x15	40	3	25
RS8270A12018000	1/2x18	41	3	27
RS8270A12022000	1/2x22	41	2	32
RS8270A12028000	1/2x28	41	2	32
RS8270A34015000	3/4x15	1	2	32
RS8270A34018000	3/4x18	44	4	31
RS8270A34022000	3/4x22	46	5	32
RS8270A34028000	3/4x28	48	8	38
RS8270A34035000	3/4x35	50	7	42
RS8270B01022000	1x22	47	4	38
RS8270B01028000	1x28	48	4	38
RS8270B01035000	1x35	47	2	46
RS8270B14028000	1.1/4x28	50	3	46
RS8270B14035000	1.1/4x35	52	4	48
RS8270B14042000	1.1/4x42	64	6	56
RS8270B12042000	1.1/2x42	65	7	56
RS8270C02054000	2x54	80	16	68

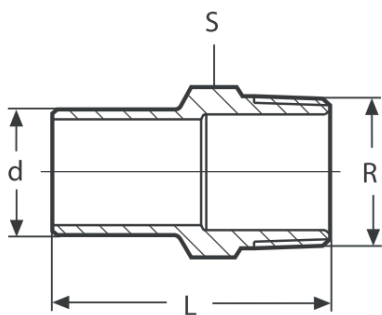
RS8245 Female adaptor



CODE	d1xd2	L	Z
RS8245015014000	15x14	48	4
RS8245016015000	16x15	47	3
RS8245018016000	18x16	48	3

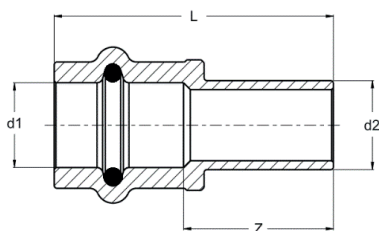
RS8272 Coupler Rp thread

CODE	Rpxd	L	Z	S
RS8272A38012000	3/8x12	37	25	21
RS8272A38015000	3/8x15	41	29	21
RS8272A12012000	1/2x12	41	26	25
RS8272A12015000	1/2x15	45	30	25
RS8272A12018000	1/2x18	46	31	25
RS8272A12022000	1/2x22	47	32	25
RS8272A34018000	3/4x18	48	31	31
RS8272A34022000	3/4x22	49	32	31
RS8272B01028000	1x28	54	34	38
RS8272B14035000	1.1/4x35	57	35	48
RS8272B12042000	1.1/2x42	68	46	55
RS8272C02054000	2x54	76	50	68

RS8244 Coupler M , R thread

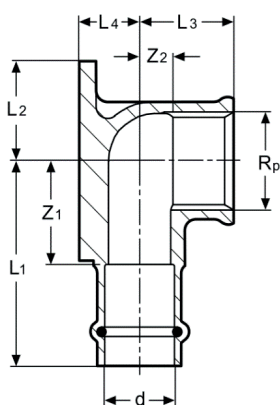
CODE	Rxd	L	S
RS8244A12012000	1/2x12	46	21
RS8244A12015000	1/2x15	49	21
RS8244A12018000	1/2x18	50	21
RS8244A12022000	1/2x22	51	25
RS8244A34018000	3/4x18	53	27
RS8244A34022000	3/4x22	54	27
RS8244B01028000	1x28	57	34
RS8244B14035000	1.1/4x35	64	42
RS8244B12042000	1.1/2x42	74	48
RS8244C02054000	2x54	81	60

RS8246 Male/Female adaptor



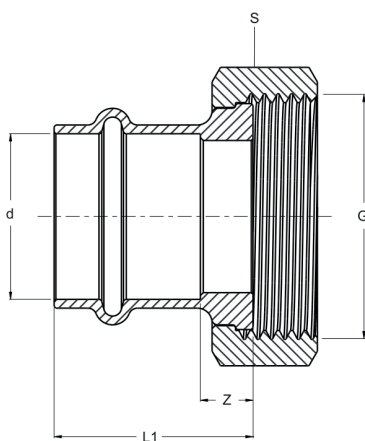
CODE	d1xd2	L	Z1
RS8246015014000	15x14	51	29
RS8246016015000	16x15	52	30
RS8246018016000	18x16	52	30

RS8471 90° female wall plate elbow, Rp thread



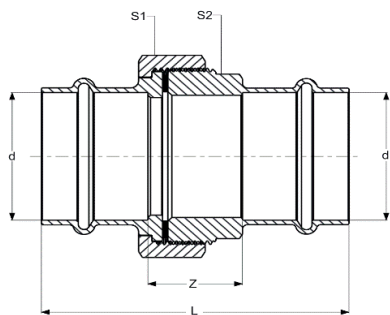
CODE	Rpxd	L1	Z1	L2	L3	Z2	L4
RS8471A12012000	12x1/2	43	24	22	22	10	12
RS8471A12015000	15x1/2	44	22	22	22	10	12
RS8471A12018000	18x1/2	45	22	22	24	12	12
RS8471A34022000	22x3/4	49	25	28	29	14	20

RS8359 Straight fitting with swivel nut and flat seat



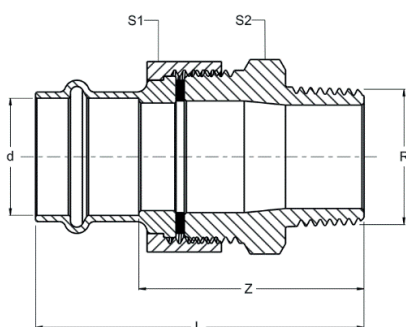
CODICE	d	G	L1	Z	S
RS8359A12015000	15	1/2	44	22	24
RS8359A34012000	12	3/4	25	7	30
RS8359A34015000	15	3/4	29	7	30
RS8359A34018000	18	3/4	32	9	30
RS8359A34022000	22	3/4	46	22	30
RS8359B01018000	18	1	33	10	37
RS8359B01022000	22	1	38	14	37
RS8359B14028000	28	1.1/4	34	9	46
RS8359B12028000	28	1.1/2	34	9	52
RS8359C02035000	35	2	34	8	64
RS8359C02042000	42	2	48	12	64
RS8359C12054000	54	2.1/2	45	5	81

RS8340 Straight union with flat washer F/F



CODE	d	L	Z	S1	S2
RS8340012012000	12	65	29	24	25
RS8340015015000	15	73	29	24	25
RS8340018018000	18	78	32	30	31
RS8340022022000	22	86	38	37	34
RS8340028028000	28	86	36	46	42
RS8340035035000	35	93	41	52	50
RS8340042042000	42	118	46	64	60
RS8340054054000	54	115	35	85	75

RS8341 Straight union with flat washer F,R thread



CODE	Rxd	L	Z	S1	S2
RS8341A38012000	3/8x12	63	45	25	25
RS8341A12012000	1/2x12	61	43	30	30
RS8341A12015000	1/2x15	66	44	30	30
RS8341A12018000	1/2x18	69	46	30	30
RS8341A12022000	1/2x22	83	59	30	30
RS8341A34015000	3/4x15	69	47	30	30
RS8341A34018000	3/4x18	72	49	30	30
RS8341A34022000	3/4x22	86	62	30	30
RS8341A34028000	3/4x28	81	56	30	30
RS8341B01022000	1x22	81	57	37	35
RS8341B01028000	1x28	83	58	46	45
RS8341B14035000	1.1/4x35	88	62	52	50
RS8341B12042000	1.1/2x42	98	62	64	60
RS8341C02054000	2x54	106	66	85	75

Frabo reserves the right to change packaging and product specifications at any time and without notice in order to improve their use.



FRA.BO s.p.A.

HEADQUARTER Via Cadorna, 30 - 25027 Quinzano d'Oglio (BS) - Italy

MANUFACTURING UNIT Via Circonvallazione, 7- 26020 Bordolano (CR) - Italy

T +39 030 99 25 711 F +39 030 99 24 127 @ info@frabo.com W www.frabo.com