



FOGLIO TECNICO DIMENSIONALE

FRABOPRESS C-STEEL SECURFRABO

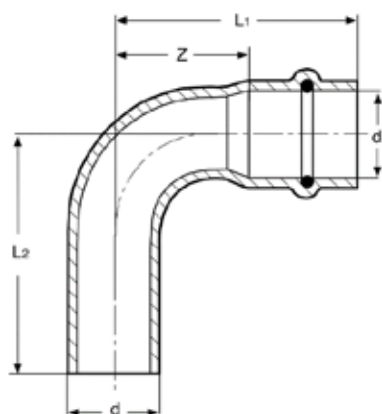
RACCORDI IN ACCIAIO AL CARBONIO GALVANIZZATO

FRABOPRESS C-STEEL SECURFRABO

Raccordi in acciaio al carbonio galvanizzato

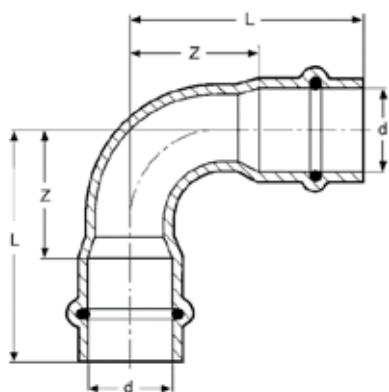


ZC0001 Curva 90° M / F



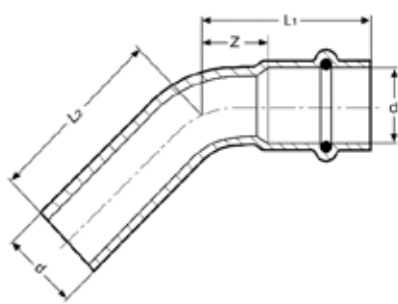
CODICE	d	L1	Z	L2
ZC0001012012000	12	33	15	34
ZC0001015015000	15	40	18	42
ZC0001018018000	18	45	22	47
ZC0001022022000	22	50	26	52
ZC0001028028000	28	59	34	61
ZC0001035035000	35	68	42	70
ZC0001042042000	42	87	51	88
ZC0001054054000	54	105	65	107

ZC0002 Curva 90° F / F



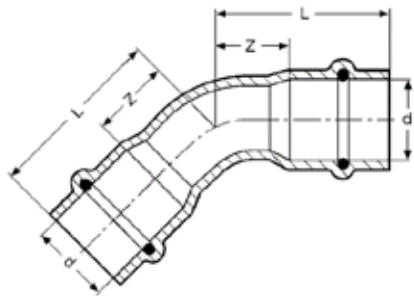
CODICE	d	L	Z
ZC0002012012000	12	33	15
ZC0002015015000	15	40	18
ZC0002018018000	18	45	22
ZC0002022022000	22	50	26
ZC0002028028000	28	59	34
ZC0002035035000	35	68	42
ZC0002042042000	42	87	51
ZC0002054054000	54	105	65

ZC0040 Curva 45° M / F



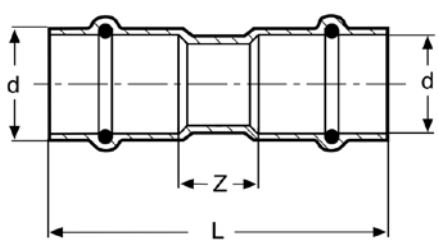
CODICE	d	L1	Z	L2
ZC0040012012000	12	25	7	27
ZC0040015015000	15	29	7	31
ZC0040018018000	18	31	8	33
ZC0040022022000	22	34	10	36
ZC0040028028000	28	38	13	40
ZC0040035035000	35	43	17	45
ZC0040042042000	42	53	17	55
ZC0040054054000	54	68	28	70

ZC0041 Curva 45° F / F



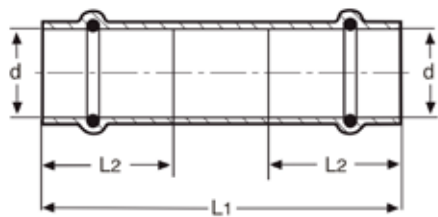
CODICE	d	L	Z
ZC0041012012000	12	25	7
ZC0041015015000	15	29	7
ZC0041018018000	18	31	8
ZC0041022022000	22	34	10
ZC0041028028000	28	38	13
ZC0041035035000	35	43	17
ZC0041042042000	42	53	17
ZC0041054054000	54	68	22

ZC0270 Manicotto c/ battuta F/F



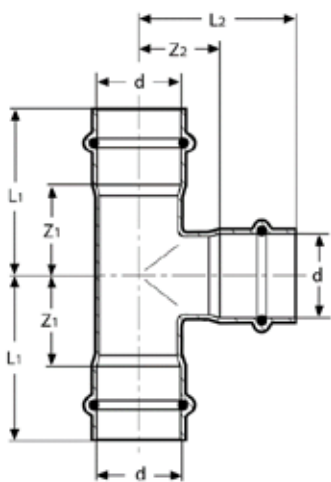
CODICE	d	L	Z
ZC0270012012000	12	57	21
ZC0270015015000	15	60	16
ZC0270018018000	18	70	24
ZC0270022022000	22	72	24
ZC0270028028000	28	74	24
ZC0270035035000	35	76	24
ZC0270042042000	42	98	26
ZC0270054054000	54	107	27

ZC0271 Manicotto passante FF



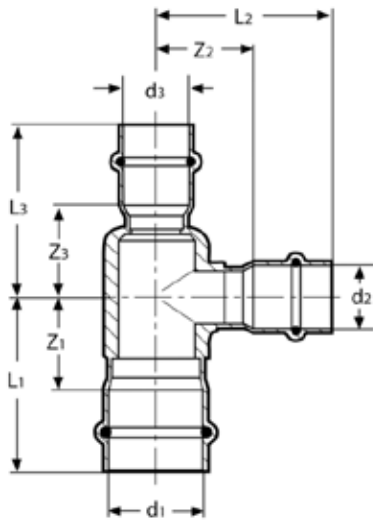
CODICE	d	L1	L2
ZC0271012012000	12	57	18
ZC0271015015000	15	85	22
ZC0271018018000	18	96	23
ZC0271022022000	22	97	24
ZC0271028028000	28	107	25
ZC0271035035000	35	116	26
ZC0271042042000	42	142	36
ZC0271054054000	54	163	40

ZC0130 T/F/F/F



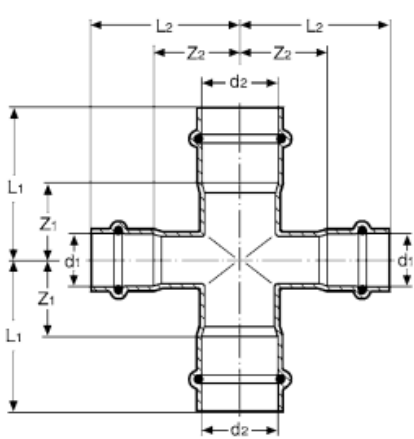
CODICE	d	L1	Z1	L2	Z2
ZC0130012012012	12	29	11	30	12
ZC0130015015015	15	41	19	42	20
ZC0130018018018	18	46	23	56	33
ZC0130022022022	22	49	25	54	30
ZC0130028028028	28	58	33	58	33
ZC0130035035035	35	58	32	62	36
ZC0130042042042	42	71	35	75	39
ZC0130054054054	54	82	42	86	46

ZC0131 T Ridotto F/F/F



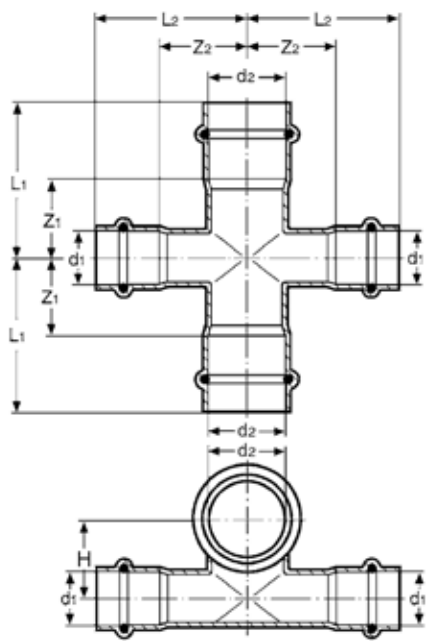
CODICE	d1xd2xd3	L1	Z1	L2	Z2	L3	Z3
ZC0131012015012	12x15x12	29	11	39	21	29	11
ZC0131015012012	15x12x12	40	18	30	12	30	12
ZC0131015012015	15x12x15	41	19	42	24	41	19
ZC0131015022015	15x22x15	42	20	46	22	42	20
ZC0131018015018	18x15x18	45	22	42	20	45	22
ZC0131018022018	18x22x18	45	22	48	24	45	22
ZC0131022012022	22x12x22	49	25	39	21	49	25
ZC0131022015022	22x15x22	49	25	47	25	49	25
ZC0131022018022	22x18x22	49	25	45	22	49	25
ZC0131022028022	22x28x22	49	25	49	24	49	25
ZC0131028015028	28x15x28	54	29	56	34	54	29
ZC0131028018028	28x18x28	58	33	55	32	58	33
ZC0131028022028	28x22x28	58	33	54	30	58	33
ZC0131035015035	35x15x35	58	32	56	34	58	32
ZC0131035018035	35x18x35	58	32	58	35	58	32
ZC0131035022035	35x22x35	58	32	49	25	58	32
ZC0131035028035	35x28x35	58	32	61	36	58	32
ZC0131042022042	42x22x42	71	35	63	39	71	35
ZC0131042028042	42x28x42	71	35	64	39	71	35
ZC0131042035042	42x35x42	71	35	67	41	71	35
ZC0131054022054	54x22x54	82	42	72	48	82	42
ZC0131054028054	54x28x54	82	42	74	49	82	42
ZC0131054035054	54x35x54	82	42	76	50	82	42
ZC0131054042054	54x42x54	82	42	82	46	82	42

ZC0140 Croce FFFF



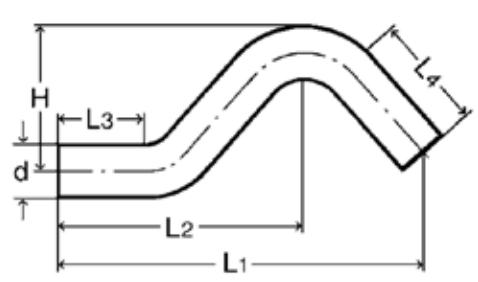
CODICE	d1xd2	L1	Z1	L2	Z2
ZC0140012012000	12x12	40	22	40	22
ZC0140018015000	18x15	44	22	46	23
ZC0140022015000	22x15	50	28	49	25
ZC0140022018000	22x18	51	28	49	25
ZC0140028015000	28x15	52	30	58	33
ZC0140028018000	28x18	59	36	58	33
ZC0140028022000	28x22	57	33	58	33
ZC0140035022000	35x22	61	37	58	32
ZC0140042022000	42x22	63	39	71	35
ZC0140054022000	54x22	71	47	82	42
ZC0140054028000	54x28	72	47	82	42

ZC0150 Croce FFFF disassata



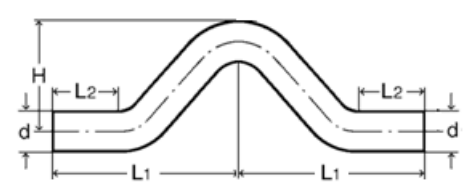
CODICE	d1xd2xd3	L1	Z1	L2	Z2	H
ZC0150012012000	12x12x12x12	40	22	40	22	28
ZC0150015012000	15x12x15x12	41	22	41	19	28
ZC0150015015000	15x15x15x15	41	19	41	19	28
ZC0150018015000	18x15x18x15	41	19	46	23	30
ZC0150022012000	22x12x22x12	40	22	49	25	32
ZC0150022015000	22x15x22x15	41	19	49	25	32
ZC0150022018000	22x18x22x18	46	23	49	25	33
ZC0150028015000	28x15x28x15	41	19	58	33	35
ZC0150028018000	28x18x28x18	46	23	58	33	36
ZC0150028022000	28x22x28x22	49	25	58	33	38
ZC0150035022000	35x22x35x22	49	25	58	32	41
ZC0150042022000	42x22x42x22	49	25	71	35	45
ZC0150054022000	54x22x54x22	49	25	82	42	51

ZC0084 Sorpasso MM



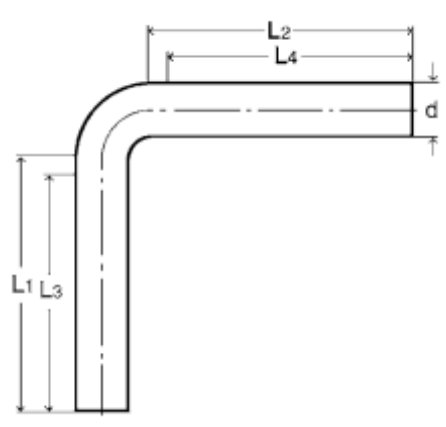
CODICE	d	L1	L2	L3 (min.)	L4 (min.)	H
ZC0084012012000	12	125	88	20	20	32
ZC0084015015000	15	135	93	24	24	32
ZC0084018018000	18	141	118	25	25	42
ZC0084022022000	22	163	120	26	26	50
ZC0084028028000	28	205	140	27	27	50

ZC0087 Sorpasso MM



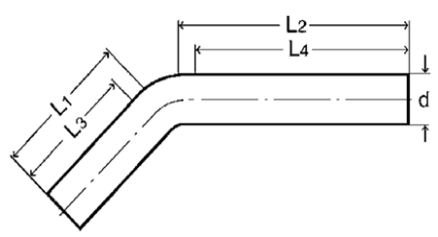
CODICE	d	L1	L2 (min.)	H
ZC0087012012000	12	88	20	32
ZC0087015015000	15	93	24	32
ZC0087018018000	18	118	25	42
ZC0087022022000	22	120	26	50
ZC0087028028000	28	140	27	50

ZC0090 Gomito 90°



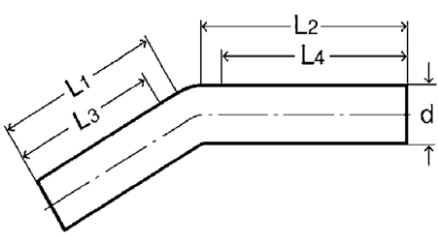
CODICE	d	L1	L2	L3 (min.)	L4 (min.)
ZC0090012012000	12	50	100	20	20
ZC0090015015000	15	50	100	24	24
ZC0090018018000	18	50	100	25	25
ZC0090022022000	22	50	100	26	26
ZC0090028028000	28	65	90	27	27
ZC0090035035000	35	75	150	28	28
ZC0090042042000	42	100	200	38	38
ZC0090054054000	54	150	200	42	42

ZC0045 Curva 45° MM



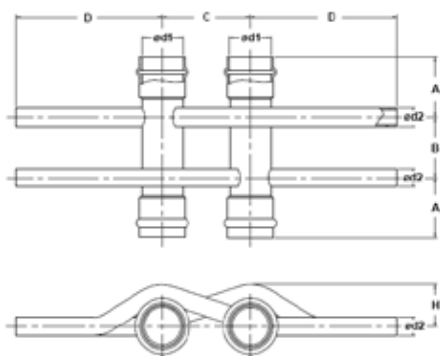
CODICE	d	L1	L2	L3 (min.)	L4 (min.)
ZC0045015000000	15	62	120	25	25
ZC0045018000000	18	58	124	25	25
ZC0045022000000	22	56	120	30	30
ZC0045028000000	28	58	122	30	30
ZC0045035000000	35	94	206	30	30
ZC0045042000000	42	114	262	45	45
ZC0045054000000	54	146	321	65	65

ZC0025 Curva 25° MM



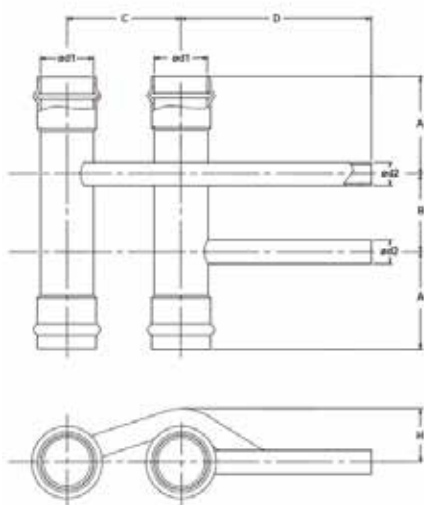
CODICE	d	L1	L2	L3 (min.)	L4 (min.)
ZC0025035035000	35	94	206	30	30
ZC0025042042000	42	114	262	45	45

ZC0360 Sorpasso Doppio

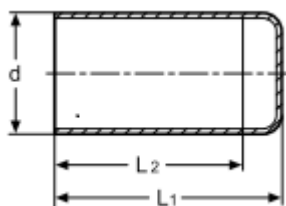


CODICE	d1xd2	A	B	C	D	H
ZC0360012012000	12x12	40	40	60	100	27
ZC0360015012000	15x12	50	40	60	100	28
ZC0360018012000	18x12	50	40	60	100	28
ZC0360018015000	18x15	50	40	60	100	31
ZC0360022012000	22x12	50	40	60	100	30
ZC0360022015000	22x15	50	40	60	100	34
ZC0360028012000	28x12	50	40	60	100	30
ZC0360028015000	28x15	50	40	60	100	35
ZC0360035015000	35x15	50	40	60	100	39

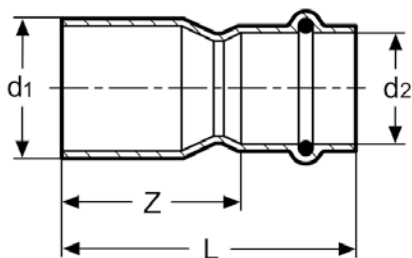
ZC0350 Sorpasso singolo



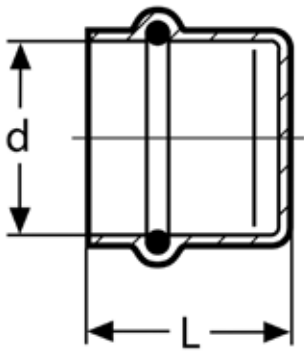
CODICE	d1xd2	A	B	C	D	H
ZC0350012012000	12x12	40	40	60	100	27
ZC0350015012000	15x12	50	40	60	100	28
ZC0350015015000	15x15	50	40	60	100	31
ZC0350018012000	18x12	50	40	60	100	28
ZC0350018015000	18x15	50	40	60	100	31
ZC0350022012000	22x12	50	40	60	100	30
ZC0350022015000	22x15	50	40	60	100	34
ZC0350028012000	28x12	50	40	60	100	30
ZC0350028015000	28x15	50	40	60	100	35

ZC0301 Tappo M

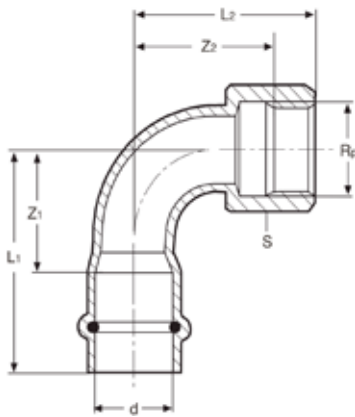
CODICE	d	L1	L2
ZC0301015000000	15	28	22
ZC0301018000000	18	30	23
ZC0301022000000	22	32	24
ZC0301028000000	28	33	25
ZC0301035000000	35	34	26
ZC0301042000000	42	44	36
ZC0301054000000	54	48	40

ZC0243 Manicotto di Riduzione M / F

CODICE	d1xd2	L	Z
ZC0243015012000	15x12	45	27
ZC0243018015000	18x15	74	52
ZC0243022012000	22x12	56	38
ZC0243022015000	22x15	57	35
ZC0243022018000	22x18	58	35
ZC0243028015000	28x15	59	37
ZC0243028018000	28x18	72	49
ZC0243028022000	28x22	69	45
ZC0243035018000	35x18	78	55
ZC0243035022000	35x22	74	50
ZC0243035028000	35x28	77	52
ZC0243042028000	42x28	97	72
ZC0243042035000	42x35	87	61
ZC0243054022000	54x22	112	88
ZC0243054028000	54x28	117	92
ZC0243054035000	54x35	111	85
ZC0243054042000	54x42	115	79
ZC0243076054000	76.1x54	152	107
ZC0243089054000	88.9x54	194	149

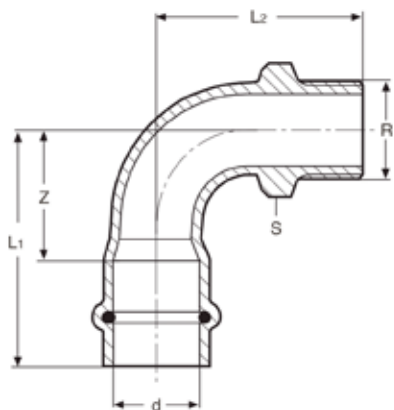
ZC0302 Tappo

CODICE	d	L
ZC0302012000000	12	21
ZC0302015000000	15	25
ZC0302018000000	18	26
ZC0302022000000	22	27
ZC0302028000000	28	28
ZC0302035000000	35	29
ZC0302042000000	42	39
ZC0302054000000	54	43

ZC0F90 Gomito F x Fil. Rp

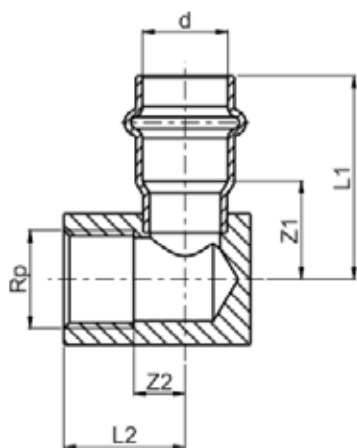
CODICE	Rpxd	L1	Z1	L2	Z2	S
ZC0F90A12015000	1/2x15	42	20	45	32	27
ZC0F90A12018000	1/2x18	45	22	50	37	27
ZC0F90A34018000	3/4x18	45	22	53	38	32
ZC0F90A34022000	3/4x22	51	27	53	38	32
ZC0F90B01028000	1x28	61	36	70	54	38
ZC0F90B01035000	1x35	69	43	79	60	38
ZC0F90B14035000	1.1/4 x35	69	43	82	61	48
ZC0F90B12042000	1.1/2x42	89	53	87	66	55
ZC0F90B12054000	1.1/2x54	114	74	99	78	60
ZC0F90C02054000	2x54	114	74	110	85	70

ZC0F92 Curva 90° F x Fil. R

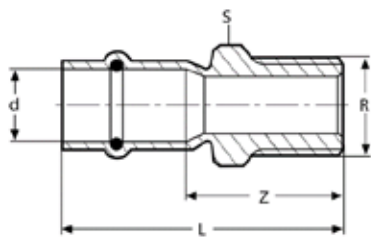


CODICE	Rxd	L1	Z	L2	S
ZC0F92A38015000	3/8x15	42	22	38	21
ZC0F92A12015000	1/2x15	42	22	39	21
ZC0F92A12018000	1/2x18	45	22	43	21
ZC0F92A34022000	3/4x22	51	27	47	27
ZC0F92B01028000	1x28	61	36	67	34
ZC0F92B14035000	1.1/4x35	69	43	81	42
ZC0F92B12035000	1.1/2x35	69	43	84	48
ZC0F92B12042000	1.1/2x42	89	53	81	50
ZC0F92C02054000	2x54	114	74	106	60

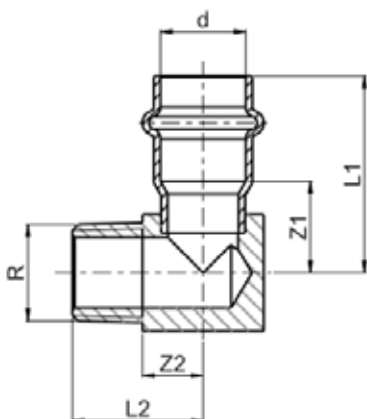
ZCF90Q Gomito F x Fil. Rp



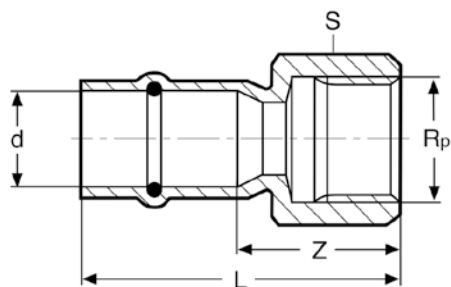
CODICE	Rpxd	L1	Z1	L2	Z2
ZCF90QA12015000	1/2x15	46	24	26	11
ZCF90QA12018000	1/2x18	50	27	26	11
ZCF90QA12022000	1/2x22	49	25	28	13
ZCF90QA12028000	1/2x28	52	27	31	16
ZCF90QA34022000	3/4x22	52	28	28	13

ZCF243 Manicotto di riduzione F X Fil. R

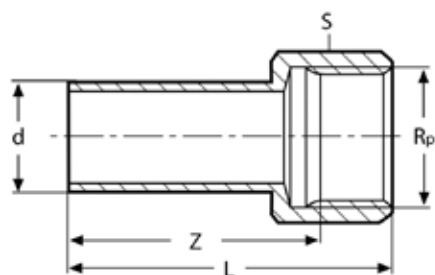
CODICE	Rxd	L	Z	S
ZCF243A38012000	3/8x12	34	16	19
ZCF243A38015000	3/8x15	39	17	25
ZCF243A12012000	1/2x12	38	20	19
ZCF243A12015000	1/2x15	43	21	25
ZCF243A12018000	1/2x18	44	21	27
ZCF243A12022000	1/2x22	45	21	32
ZCF243A34018000	3/4x18	45	22	27
ZCF243A34022000	3/4x22	46	22	32
ZCF243A34028000	3/4x28	57	32	32
ZCF243B01022000	1x22	55	31	34
ZCF243B01028000	1x28	57	32	34
ZCF243B01035000	1x35	60	34	38
ZCF243B14035000	1.1/4x35	60	34	42
ZCF243B12035000	1.1/2x35	62	36	48
ZCF243B12042000	1.1/2x42	72	36	50
ZCF243C02054000	2x54	83	43	60

ZCF92Q Gomito F filettato

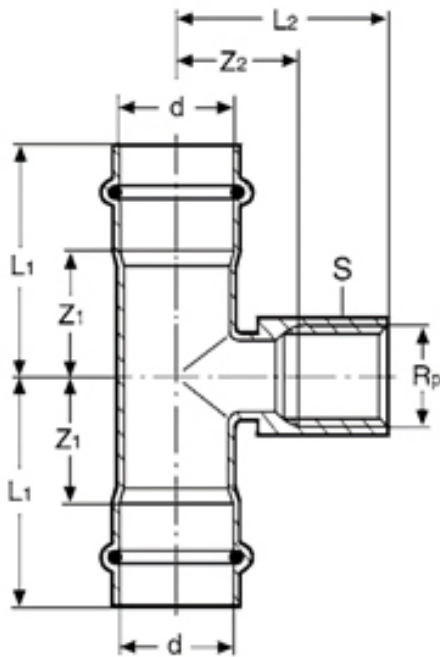
CODICE	Rxd	L1	Z1	L2	Z2
ZCF92QA38015000	3/8x15	43	21	24	12
ZCF92QA12015000	1/2x15	44	22	28	13
ZCF92QA12018000	1/2x18	48	25	28	13
ZCF92QA34018000	3/4x18	51	28	30	13
ZCF92QA34022000	3/4x22	50	26	33	16

ZCF270 Manicotto c/battuta F x Fil. Rp

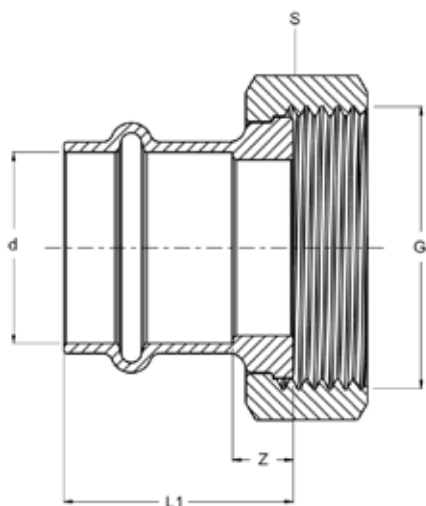
CODICE	Rpxd	L	Z	S
ZCF270A38012000	3/8x12	31	13	21
ZCF270A38015000	3/8x15	46	24	21
ZCF270A12012000	1/2x12	34	16	25
ZCF270A12015000	1/2x15	50	28	25
ZCF270A12018000	1/2x18	54	31	25
ZCF270A12022000	1/2x22	55	31	32
ZCF270A34018000	3/4x18	55	32	32
ZCF270A34022000	3/4x22	44	20	32
ZCF270A34028000	3/4x28	57	32	32
ZCF270B01022000	1x22	59	35	38
ZCF270B01028000	1x28	60	35	38
ZCF270B01035000	1x35	61	35	38
ZCF270B14035000	1.1/4 x35	63	37	50
ZCF270B12035000	1.1/2 x35	63	37	55
ZCF270B12042000	1.1/2 x42	71	35	55
ZCF270B12054000	1.1/2 x54	84	44	60
ZCF270C02054000	2x54	90	50	64

ZCF271 Manicotto M x Fil. Rp

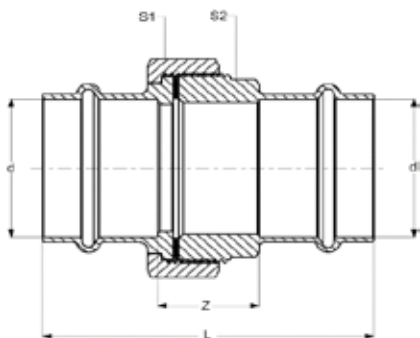
CODICE	Rpxd	L	Z	S
ZCF271A12015000	1/2x15	48	32	27
ZCF271A12018000	1/2x18	49	33	27
ZCF271A12022000	1/2x22	50	34	27
ZCF271A34018000	3/4x18	51	33	32
ZCF271A34022000	3/4x22	52	34	32



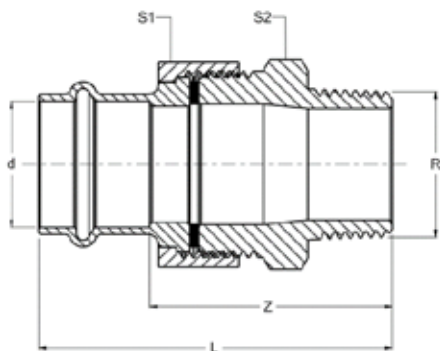
CODICE	Rpxd	L1	Z1	L2	Z2	S
ZCF130015A12015	1/2x15	41	19	39	24	27
ZCF130018A12018	1/2x18	46	23	37	22	27
ZCF130022A12022	1/2x22	49	25	39	24	27
ZCF130028A12028	1/2x28	58	33	37	22	27
ZCF130035A12035	1/2x35	58	32	43	28	27
ZCF130042A12042	1/2x42	71	35	47	32	27
ZCF130054A12054	1/2x54	82	42	53	38	27
ZCF130018A34018	3/4x18	46	23	39	23	32
ZCF130022A34022	3/4x22	49	25	41	25	32
ZCF130028A34028	3/4x28	58	33	45	29	32
ZCF130035A34035	3/4x35	58	32	49	33	32
ZCF130042A34042	3/4x42	71	35	52	36	32
ZCF130054A34054	3/4x54	82	42	58	42	32
ZCF130028B01028	1x28	58	33	46	27	38
ZCF130035B01035	1x35	58	32	50	31	38
ZCF130042B01042	1x42	71	35	53	34	38
ZCF130035B14035	1.1/4x35	58	32	55	34	50
ZCF130042B12042	1.1/2x42	71	35	58	37	55
ZCF130054C02054	2x54	82	42	68	43	70

ZCF359 Bocchettone F X Fil. G

CODICE	Gxd	L1	Z	S
ZCF359A12015000	1/2x15	44	22	24
ZCF359A12018000	1/2x18	44	22	24
ZCF359A34015000	3/4x15	29	7	30
ZCF359A34018000	3/4x18	32	9	30
ZCF359A34022000	3/4x22	46	22	30
ZCF359B01018000	1x18	38	14	37
ZCF359B01022000	1x22	38	14	37
ZCF359B14028000	1.1/4x28	34	9	46
ZCF359B12035000	1.1/2x35	34	9	46
ZCF359C02042000	2x42	48	12	64
ZCF359C12054000	2.1/2x54	45	5	85

ZC0340 Bocchettone FF

CODICE	d	L	Z	S1	S2
ZC0340015015000	15	90	46	24	25
ZC0340018018000	18	100	54	30	30
ZC0340022022000	22	103	55	37	34
ZC0340028028000	28	96	46	46	45
ZC0340035035000	35	125	73	52	50
ZC0340042042000	42	132	60	64	60
ZC0340054054000	54	148	68	85	75

ZCF341 Bocchettone F X Fil. R

CODICE	Rxd	L	Z	S1	S2
ZCF341A12015000	1/2x15	66	44	24	27
ZCF341A12018000	1/2x18	69	46	30	30
ZCF341A12022000	1/2x22	83	59	30	30
ZCF341A34015000	3/4x15	69	47	30	30
ZCF341A34018000	3/4x18	72	49	30	30
ZCF341A34022000	3/4x22	86	62	30	30
ZCF341B01022000	1x22	81	57	37	35
ZCF341B01028000	1x28	83	58	46	45
ZCF341B14035000	1.1/4x35	88	62	52	50
ZCF341B12042000	1.1/2x42	98	62	64	60
ZCF341C02054000	2x54	106	66	85	75

Frabo declina ogni responsabilità per le possibili inesattezze contenute nel documento. Inoltre si riserva il diritto di apportare modifiche alle specifiche dei propri prodotti senza pregiudicarne le caratteristiche essenziali.



FRA.BO s.p.A.

SEDE LEGALE

Via Cadorna, 30 - 25027 Quinzano d'Oglio (BS) - Italy

SEDE PRODUTTIVA

Via Circonvallazione, 7- 26020 Bordolano (CR) - Italy

T +39 030 99 25 711 F +39 030 99 24 127 @ info@frabo.com W www.frabo.com