



FOGLIO TECNICO DIMENSIONALE

FRABOPRESS

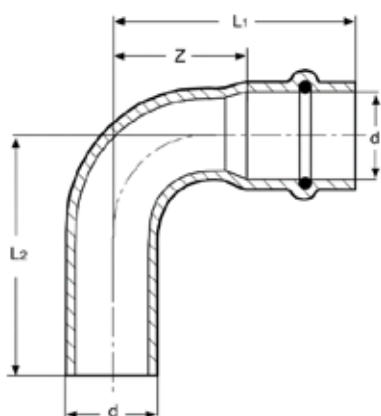
RACCORDI IN RAME E BRONZO A PRESSARE

FRABOPRESS

Raccordi in rame e bronzo a pressare

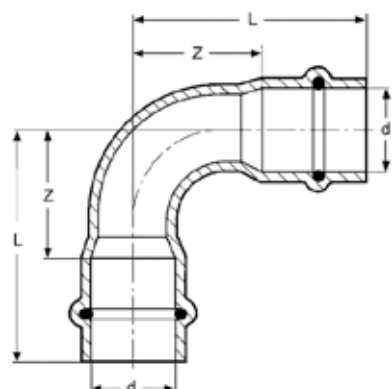


RR9001 Curva 90° M / F



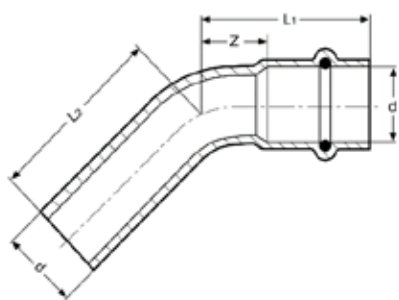
CODICE	d	L1	Z	L2
RR9001012012000	12	33	15	34
RR9001015015000	15	40	18	42
RR9001018018000	18	45	22	47
RR9001022022000	22	51	27	52
RR9001028028000	28	59	34	61
RR9001035035000	35	68	42	70
RR9001042042000	42	87	51	88
RR9001054054000	54	105	65	107

RR9002 Curva 90° F / F



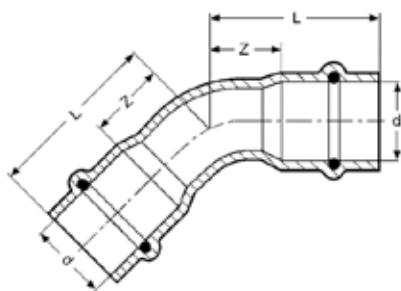
CODICE	d	L	Z
RR9002012012000	12	33	15
RR9002015015000	15	40	18
RR9002018018000	18	45	22
RR9002022022000	22	51	27
RR9002028028000	28	59	34
RR9002035035000	35	68	42
RR9002042042000	42	87	51
RR9002054054000	54	105	65

RR9040 Curva 45° M / F



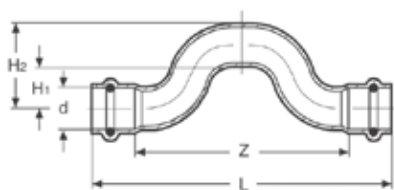
CODICE	d	L1	Z	L2
RR9040012012000	12	25	7	26
RR9040015015000	15	29	7	30
RR9040018018000	18	31	8	32
RR9040022022000	22	34	10	36
RR9040028028000	28	38	13	40
RR9040035035000	35	43	17	45
RR9040042042000	42	53	17	55
RR9040054054000	54	68	28	70

RR9041 Curva 45° F / F



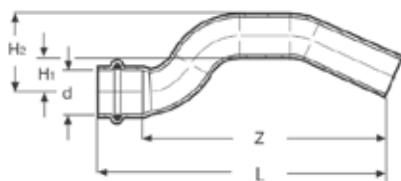
CODICE	d	L	Z
RR9041012012000	12	25	7
RR9041015015000	15	29	7
RR9041018018000	18	31	8
RR9041022022000	22	34	10
RR9041028028000	28	38	13
RR9041035035000	35	43	17
RR9041042042000	42	53	17
RR9041054054000	54	68	28

RR9085 Sorpasso F / F



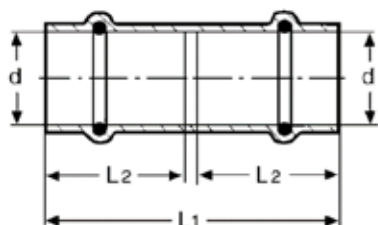
CODICE	d	L	Z	H1	H2
RR9085015015000	15	152	110	27	35
RR9085018018000	18	176	130	28	37
RR9085022022000	22	198	150	30	41

RR9086 Sorpasso M / F



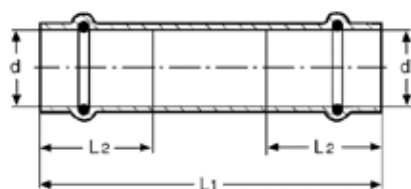
CODICE	d	L	Z	H1	H2
RR9086012012000	12	112	96	20	32
RR9086015015000	15	119	98	20	35
RR9086018018000	18	137	114	20	38
RR9086022022000	22	160	136	30	52

RR9270 Manicotto F/F



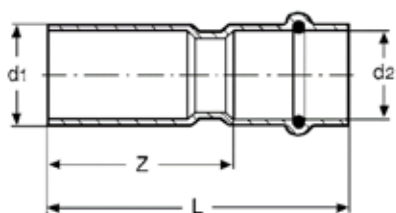
CODICE	d	L1	L2
RR9270012012000	12	40	18
RR9270015015000	15	49	22
RR9270018018000	18	52	23
RR9270022022000	22	53	24
RR9270028028000	28	57	25
RR9270035035000	35	62	26
RR9270042042000	42	78	35
RR9270054054000	54	93	40

RR9271 Manicotto F / F senza battuta



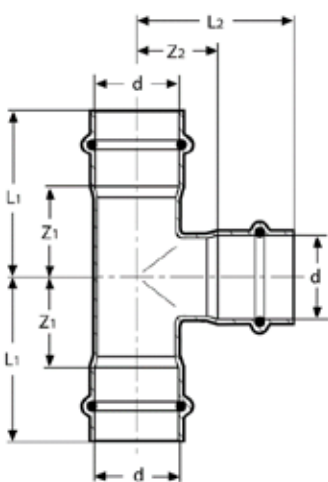
CODICE	d	L1	L2
RR9271012012000	12	58	18
RR9271015015000	15	82	22
RR9271018018000	18	92	23
RR9271022022000	22	97	24
RR9271028028000	28	107	25
RR9271035035000	35	114	26
RR9271042042000	42	142	41
RR9271054054000	54	163	45

RR9243 Riduzione M / F

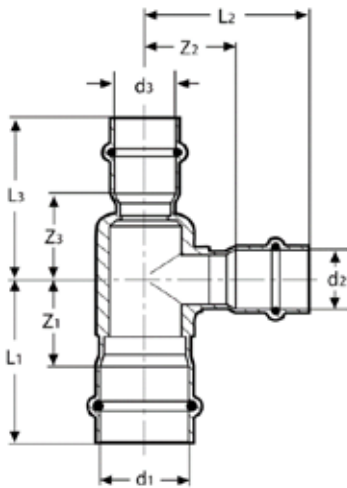


CODICE	d1 x d2	L	Z
RR9243015012000	15x12	44	26
RR9243018012000	18x12	47	29
RR9243018015000	18x15	50	28
RR9243022015000	22x15	56	34
RR9243022018000	22x18	52	29
RR9243028015000	28x15	60	38
RR9243028018000	28x18	59	36
RR9243028022000	28x22	58	34
RR9243035022000	35x22	64	40
RR9243035028000	35x28	59	34
RR9243042022000	42x22	76	52
RR9243042028000	42x28	74	49
RR9243042035000	42x35	68	42
RR9243054035000	54x35	89	63
RR9243054042000	54x42	90	54

RR9130 TF/F/F

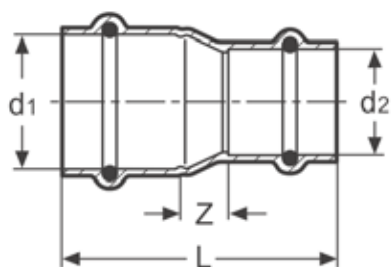


CODICE	d	L1	L2	Z1	Z2
RR9130012012012	12	29	29	11	11
RR9130015015015	15	41	33	19	11
RR9130018018018	18	42	35	19	12
RR9130022022022	22	45	39	21	15
RR9130028028028	28	48	46	23	21
RR9130035035035	35	53	48	27	22
RR9130042042042	42	65	65	29	29
RR9130054054054	54	75	75	35	35



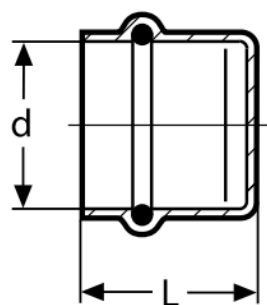
CODICE	d1xd2xd3	L1	Z1	L2	Z2	L3	Z3
RR9131012015012	12x15x12	38	20	32	10	38	20
RR9131015012012	15x12x12	39	17	30	12	39	21
RR9131015012015	15x12x15	39	17	30	12	39	17
RR9131015015012	15x15x12	41	19	33	11	41	19
RR9131015018015	15x18x15	42	20	35	12	42	20
RR9131015022015	15x22x15	45	23	38	14	45	23
RR9131018012018	18x12x18	39	16	31	13	39	16
RR9131018015015	18x15x15	41	18	35	13	45	23
RR9131018015018	18x15x18	41	18	35	13	41	18
RR9131018018015	18x18x15	42	19	35	12	47	25
RR9131018022018	18x22x18	45	22	36	12	45	22
RR9131022012022	22x12x22	39	15	33	15	39	15
RR9131022015015	22x15x15	41	17	37	15	47	25
RR9131022015018	22x15x18	41	17	37	15	44	21
RR9131022015022	22x15x22	41	17	37	15	41	17
RR9131022018015	22x18x15	42	18	37	14	50	28
RR9131022018018	22x18x18	42	18	37	14	47	24
RR9131022018022	22x18x22	42	18	37	14	42	18
RR9131022022015	22x22x15	45	21	38	14	51	29
RR9131022022018	22x22x18	45	21	38	14	51	28
RR9131022028022	22x28x22	48	24	39	14	48	24
RR9131028015022	28x15x22	41	16	41	19	45	21
RR9131028015028	28x15x28	41	16	41	19	41	16
RR9131028018022	28x18x22	42	17	41	18	47	23
RR9131028018028	28x18x28	42	17	41	18	42	17
RR9131028022022	28x22x22	45	20	42	18	50	26
RR9131028022028	28x22x28	45	20	42	18	45	20
RR9131028028022	28x28x22	48	23	43	18	53	29
RR9131035015035	35x15x35	44	18	44	22	44	18
RR9131035018035	35x18x35	44	18	44	21	44	18
RR9131035022028	35x22x28	46	20	45	21	52	27
RR9131035022035	35x22x35	46	20	45	21	46	20
RR9131035028028	35x28x28	49	23	46	21	55	30
RR9131035028035	35x28x35	49	23	46	21	49	23
RR9131042022042	42x22x42	53	17	52	28	53	17
RR9131042028042	42x28x42	55	19	53	28	55	19
RR9131042035042	42x35x42	58	22	55	29	58	22
RR9131054022054	54x22x54	60	20	58	34	60	20
RR9131054028054	54x28x54	63	23	59	34	63	23
RR9131054035054	54x35x54	68	28	61	35	68	28
RR9131054042054	54x42x54	69	29	71	35	69	29

RR9240 Riduzione F / F



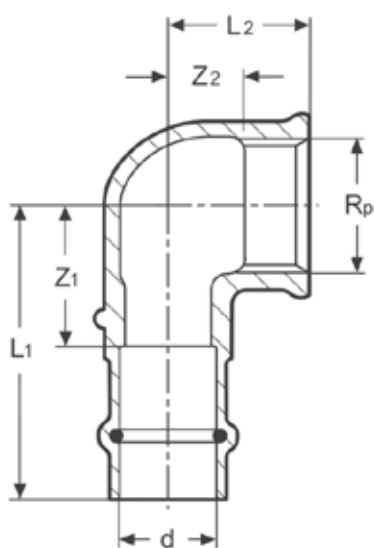
CODICE	d1	d2	L	Z
RR9240015012000	15	12	46	6
RR9240018015000	18	15	50	5
RR9240022015000	22	15	58	12
RR9240022018000	22	18	55	8
RR9240028022000	28	22	58	9
RR9240035028000	35	28	62	11
RR9240042035000	42	35	73	11
RR9240054042000	54	42	95	19

RR9301 Tappo F



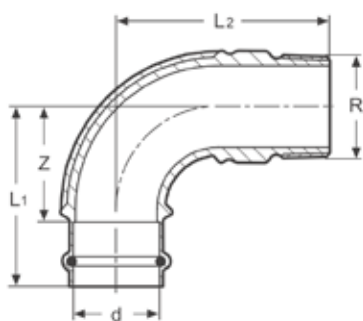
CODICE	d	L
RR9301015000000	15	25
RR9301018000000	18	26
RR9301022000000	22	27
RR9301028000000	28	28
RR9301035000000	35	30
RR9301042000000	42	40
RR9301054000000	54	45

RB8090 Curva 90° F / Filetto Rp



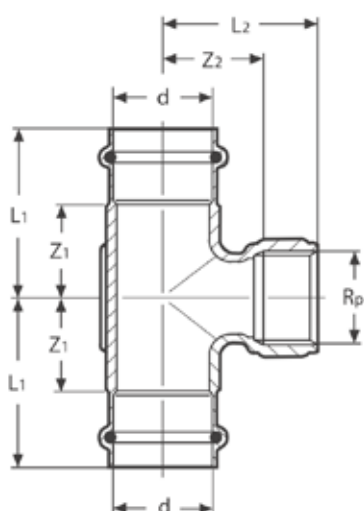
CODICE	d	Rp	L1	L2	Z1	Z2
RB8090A38012000	12	3/8	44	18	26	9
RB8090A38015000	15	3/8	47	19	25	10
RB8090A12012000	12	1/2	44	22	26	11
RB8090A12015000	15	1/2	45	24	23	13
RB8090A12018000	18	1/2	47	24	24	13
RB8090A12022000	22	1/2	49	24	25	13
RB8090A34015000	15	3/4	49	31	27	16
RB8090A34018000	18	3/4	50	24	27	9
RB8090A34022000	22	3/4	49	29	25	6
RB8090A34028000	28	3/4	55	30	30	15
RB8090B01022000	22	1	60	33	36	10
RB8090B01028000	28	1	61	33	36	9
RB8090B14035000	35	1.1/4	67	40	41	22
RB8090B12042000	42	1.1/2	77	43	41	25
RB8090C02054000	54	2	97	57	57	39

RB8092 Curva 90° F / Filetto R



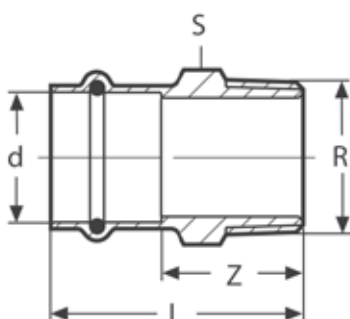
CODICE	d	R	L1	L2	Z
RB8092A38012000	12	3/8	42	32	24
RB8092A38015000	15	3/8	42	32	20
RB8092A12012000	12	1/2	43	34	25
RB8092A12015000	15	1/2	44	34	22
RB8092A12018000	18	1/2	47	49	24
RB8092A34018000	18	3/4	49	50	26
RB8092A34022000	22	3/4	55	39	31
RB8092B01028000	28	1	59	73	34
RB8092B14035000	35	1.1/4	70	86	44
RB8092B12042000	42	1.1/2	87	95	51
RB8092C02054000	54	2	110	118	66

RB8130 Tee Filettato F / Fil. Rp / F



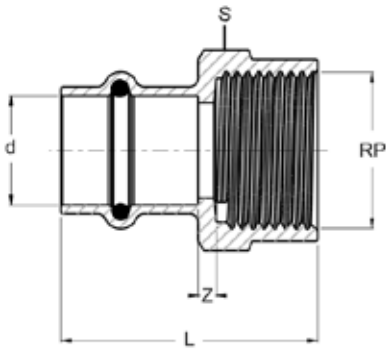
CODICE	d	Rp	L1	L2	Z1	Z2
RB8130015A38015	15	3/8	43	22	21	12
RB8130012A12012	12	1/2	44	23	26	13
RB8130015A12015	15	1/2	45	23	23	13
RB8130018A12018	18	1/2	47	24	24	14
RB8130022A12022	22	1/2	48	25	24	15
RB8130028A12028	28	1/2	53	50	28	35
RB8130035A12035	35	1/2	49	38	23	23
RB8130042A12042	42	1/2	55	50	19	35
RB8130054A12054	54	1/2	67	54	27	39
RB8130022A34022	22	3/4	53	31	29	16
RB8130028A34028	28	3/4	53	50	27	35
RB8130028B01028	28	1	56	35	30	20

RB8243 Manicotto F / Filetto R



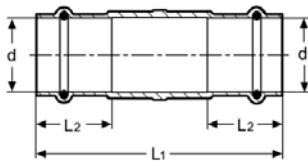
CODICE	d	R	L	Z	S
RB8243A38012000	12	3/8	40	22	21
RB8243A38015000	15	3/8	44	22	25
RB8243A12012000	12	1/2	43	25	21
RB8243A12015000	15	1/2	46	24	25
RB8243A12018000	18	1/2	48	25	27
RB8243A12022000	22	1/2	49	25	32
RB8243A34015000	15	3/4	48	26	28
RB8243A34018000	18	3/4	49	26	28
RB8243A34022000	22	3/4	51	27	32
RB8243A34028000	28	3/4	52	27	38
RB8243B01022000	22	1	52	28	34
RB8243B01028000	28	1	54	29	38
RB8243B01035000	35	1	58	32	46
RB8243B14028000	28	1.1/4	58	33	42
RB8243B14035000	35	1.1/4	60	34	46
RB8243B14042000	42	1.1/4	75	39	56
RB8243B12035000	35	1.1/2	60	34	48
RB8243B12042000	42	1.1/2	75	39	56
RB8243B12054000	54	1.1/2	81	41	68
RB8243C02054000	54	2	86	46	68

RB8270 Manicotto F / Filetto Rp



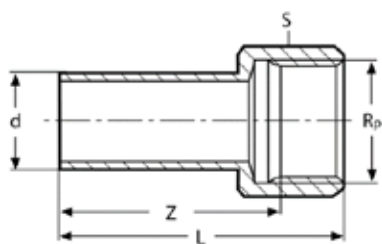
CODICE	d	Rp	L	Z	S
RB8270A38012000	12	3/8	35	5	25
RB8270A38015000	15	3/8	36	2	25
RB8270A12012000	12	1/2	36	3	25
RB8270A12015000	15	1/2	40	3	25
RB8270A12018000	18	1/2	41	3	27
RB8270A12022000	22	1/2	41	2	32
RB8270A12028000	28	1/2	41	2	1
RB8270A34015000	15	3/4	41	2	32
RB8270A34018000	18	3/4	44	4	31
RB8270A34022000	22	3/4	46	5	32
RB8270A34028000	28	3/4	48	8	38
RB8270A34035000	35	3/4	50	7	42
RB8270B01022000	22	1	47	4	38
RB8270B01028000	28	1	48	4	38
RB8270B01035000	35	1	47	2	46
RB8270B14028000	28	1.1/4	50	3	46
RB8270B14035000	35	1.1/4	52	4	48
RB8270B14042000	42	1.1/4	64	6	56
RB8270B12042000	42	1.1/2	65	7	56
RB8270C02054000	54	2	80	16	68

RB8271 Manicotto passante FF



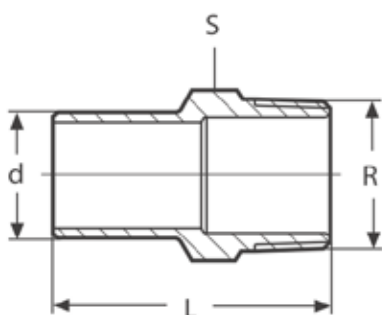
CODICE	d	L1	L2
RB8271012012000	12	75	18
RB8271015015000	15	80	22
RB8271018018000	18	80	23
RB8271022022000	22	85	24
RB8271028028000	28	95	25
RB8271035035000	35	105	26
RB8271042042000	42	120	36
RB8271054054000	54	135	40

RB8272 Manicotto M / Filetto Rp



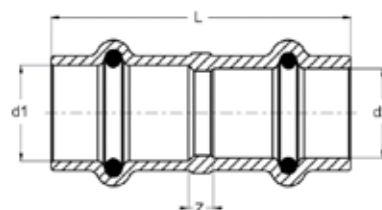
CODICE	d	Rp	L	Z	S
RB8272A38012000	12	3/8	37	25	21
RB8272A38015000	15	3/8	41	29	21
RB8272A12012000	12	1/2	41	26	25
RB8272A12015000	15	1/2	45	30	25
RB8272A12018000	18	1/2	46	31	25
RB8272A12022000	22	1/2	47	32	25
RB8272A34018000	18	3/4	48	31	31
RB8272A34022000	22	3/4	49	32	31
RB8272B01028000	28	1	54	34	38
RB8272B14035000	35	1.1/4	57	35	48
RB8272B12042000	42	1.1/2	68	46	55
RB8272C02054000	54	2	76	50	68

RB8244 Manicotto M / Filetto R



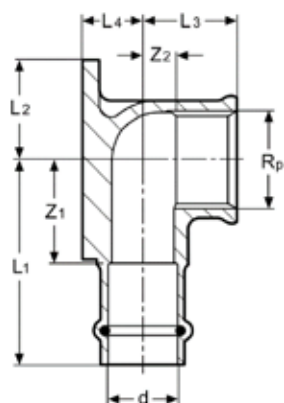
CODICE	d	R	L	S
RB8244A12012000	12	1/2	46	21
RB8244A12015000	15	1/2	49	21
RB8244A12018000	18	1/2	50	21
RB8244A12022000	22	1/2	51	25
RB8244A34018000	18	3/4	53	27
RB8244A34022000	22	3/4	54	27
RB8244B01028000	28	1	57	34
RB8244B14035000	35	1.1/4	64	42
RB8244B12042000	42	1.1/2	74	48
RB8244C02054000	54	2	81	60

RB8245 Adattatore F / F



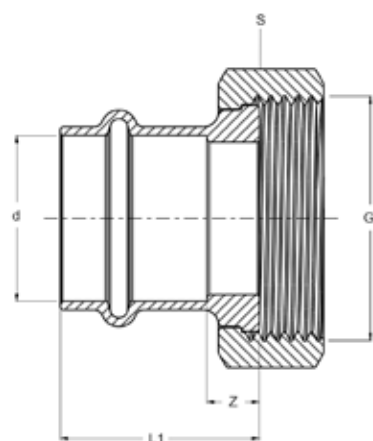
CODICE	d1	d2	L	Z
RB8245015014000	15	14	48	4
RB8245016015000	15	16	47	3
RB8245018016000	18	16	48	3

RB8471 Gomito Flangiato F / Filetto Rp



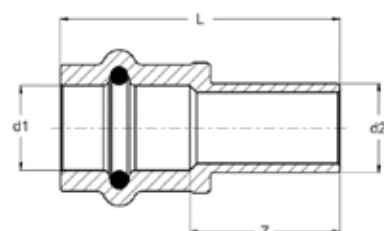
CODICE	d	Rp	L1	Z1	L2	L3	Z2	L4
RB8471A12012000	12	1/2	43	24	22	22	10	12
RB8471A12015000	15	1/2	44	22	22	22	10	12
RB8471A12018000	18	1/2	45	22	22	24	12	12
RB8471A34022000	22	3/4	49	25	28	29	14	20

RB8359 Mezzo Bocchettone



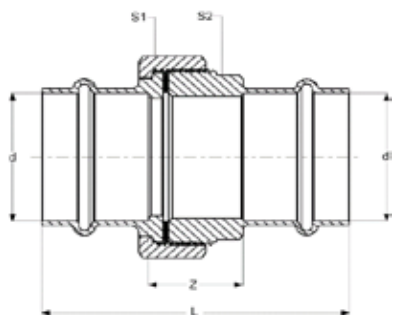
CODICE	d	G	L1	Z	S
RB8359A12015000	15	1/2	44	22	24
RB8359A34012000	12	3/4	25	7	30
RB8359A34015000	15	3/4	29	7	30
RB8359A34018000	18	3/4	32	9	30
RB8359A34022000	22	3/4	46	22	30
RB8359B01018000	18	1	33	10	37
RB8359B01022000	22	1	38	14	37
RB8359B14028000	28	1.1/4	34	9	46
RB8359B12028000	28	1.1/2	34	9	52
RB8359C02035000	35	2	34	8	64
RB8359C02042000	42	2	48	12	64
RB8359C12054000	54	2.1/2	45	5	81

RB8246 Adattatore M / F



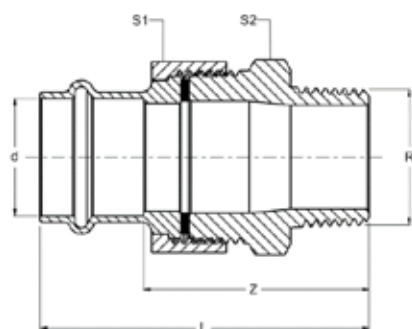
CODICE	d1	d2	L	Z
RB8246015014000	14	15	51	29
RB8246016015000	16	15	52	30
RB8246018016000	16	18	52	30

RB8340 Bocchettone F / F



CODICE	d	L	Z	S1	S2
RB8340012012000	12	65	29	24	25
RB8340015015000	15	73	29	24	25
RB8340018018000	18	78	32	30	31
RB8340022022000	22	86	38	37	34
RB8340028028000	28	86	36	46	42
RB8340035035000	35	93	41	52	50
RB8340042042000	42	118	46	64	60
RB8340054054000	54	115	35	85	75

RB8341 Bocchettone F / Filetto R



CODICE	d	R	L	Z	S1	S2
RB8341A38012000	12	3/8	63	45	25	25
RB8341A12012000	12	1/2	61	43	30	30
RB8341A12015000	15	1/2	66	44	30	30
RB8341A12018000	18	1/2	69	46	30	30
RB8341A12022000	22	1/2	83	59	30	30
RB8341A34015000	15	3/4	69	47	30	30
RB8341A34018000	18	3/4	72	49	30	30
RB8341A34022000	22	3/4	86	62	30	30
RB8341A34028000	28	3/4	81	56	30	30
RB8341B01022000	22	1	81	57	37	35
RB8341B01028000	28	1	83	58	46	45
RB8341B14035000	35	1.1/4	88	62	52	50
RB8341B12042000	42	1.1/2	98	62	64	60
RB8341C02054000	54	2	106	66	85	75

Frabo declina ogni responsabilità per le possibili inesattezze contenute nel documento. Inoltre si riserva il diritto di apportare modifiche alle specifiche dei propri prodotti senza pregiudicarne le caratteristiche essenziali.

FRA.BO s.p.A.

SEDE LEGALE Via Cadorna, 30 - 25027 Quinzano d'Oglio (BS) - Italy
SEDE PRODUTTIVA Via Circonvallazione, 7- 26020 Bordolano (CR) - Italy
T +39 030 99 25 711 F +39 030 99 24 127 @ info@frabo.com W www.frabo.com