



DATA SHEET

FRABOPRESS GAS

COPPER AND BRONZE PRESS FITTINGS

FRABOPRESS GAS

Copper and Bronze press fittings



SYSTEM DESCRIPTION

FRABOPRESS GAS is a copper and bronze press-fitting system suitable for domestic installations for methane and LPG thanks to the high-performance yellow **HNBR** O-Ring.

His special O-Ring ensures a total reliability of the system and it is certified according to the EN 549 (gas).

The **FRABOPRESS GAS** fittings are made of copper CW024A and the **FRABOPRESS** Bronze fittings are made of a high-quality bronze alloy, low-lead content, complying with the strictest European standards.

The high-tech yellow O-Ring and the special outer marking easily identifies the **FRABOPRESS** for GAS applications.

APPLICATIONS

FRABOPRESS GAS system is suitable for domestic installations of **fuel gas** and **LPG**.

FRABOPRESS GAS fittings can be used with copper tubes complying with EN 1057 standard and with the minimum wall thickness as indicated in the technical manual of the product.

AVAILABLE DIMENSIONS

The **FRABOPRESS GAS** range is available in different shapes and sizes are: 12, 15, 18, 22, 28, 35, 42 and 54 for an easier, quicker and safe installation.

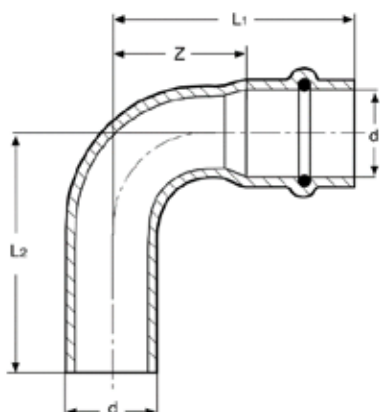
SAFETY

FRABOPRESS GAS fittings are ideal for a quick and safe connection that prevent from the typical problem and consequences of a soldering system.

The **FRABO** special profile, 3 pressing-points, is the ideal and the best to ensure tightness and stability of connection tube-fitting.

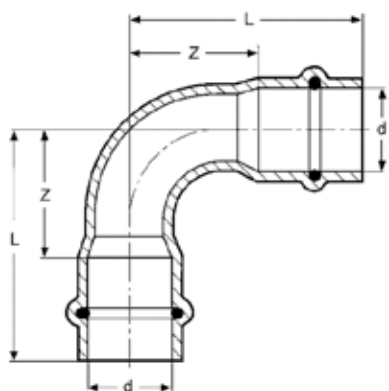
Furthermore once inserting the tube into the fitting the collar reduces oscillations granting a better tightness even in case of lateral displacement of the connection tube-fitting.

PG9001 90° elbow M/F



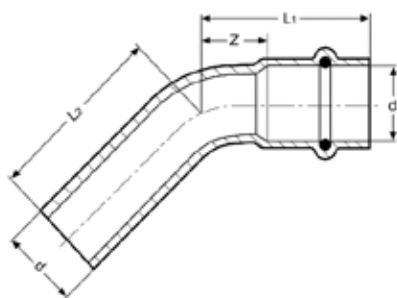
CODE	d	L1	Z	L2
PG9001012012000	12	33	15	34
PG9001015015000	15	40	18	42
PG9001018018000	18	45	22	47
PG9001022022000	22	51	27	52
PG9001028028000	28	59	34	61
PG9001035035000	35	68	42	70
PG9001042042000	42	87	51	88
PG9001054054000	54	105	65	107

PG9002 90° elbow F/F



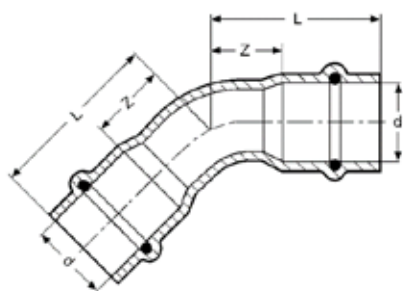
CODE	d	L	Z
PG9002012012000	12	33	15
PG9002015015000	15	40	18
PG9002018018000	18	45	22
PG9002022022000	22	51	27
PG9002028028000	28	59	34
PG9002035035000	35	68	42
PG9002042042000	42	87	51
PG9002054054000	54	105	65

PG9040 45° elbow M/F



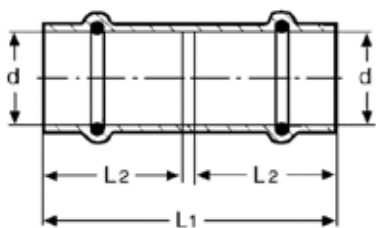
CODE	d	L1	Z	L2
PG9040012012000	12	25	7	26
PG9040015015000	15	29	7	30
PG9040018018000	18	31	8	32
PG9040022022000	22	34	10	36
PG9040028028000	28	38	13	40
PG9040035035000	35	43	17	45
PG9040042042000	42	53	17	55
PG9040054054000	54	68	28	70

PG9041 45° elbow F/F



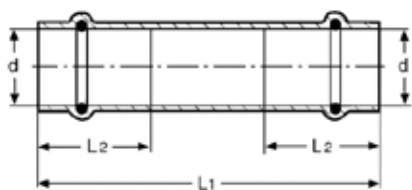
CODE	d	L	Z
PG9041012012000	12	25	7
PG9041015015000	15	29	7
PG9041018018000	18	31	8
PG9041022022000	22	34	10
PG9041028028000	28	38	13
PG9041035035000	35	43	17
PG9041042042000	42	53	17
PG9041054054000	54	68	28

PG9270 Coupling with end F/F



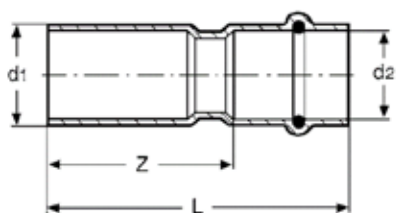
CODE	d	L1	L2
PG9270012012000	12	40	18
PG9270015015000	15	49	22
PG9270018018000	18	52	23
PG9270022022000	22	53	24
PG9270028028000	28	57	25
PG9270035035000	35	62	26
PG9270042042000	42	78	35
PG9270054054000	54	93	40

PG9271 Coupling F/F



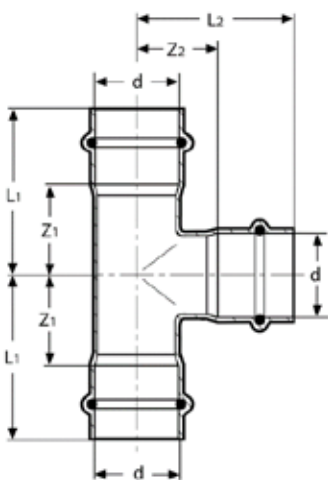
CODE	d	L1	L2
PG9271012012000	12	58	18
PG9271015015000	15	82	22
PG9271018018000	18	92	23
PG9271022022000	22	97	24
PG9271028028000	28	107	25
PG9271035035000	35	114	26
PG9271042042000	42	142	41
PG9271054054000	54	163	45

PG9243 Fitting reducer M/F



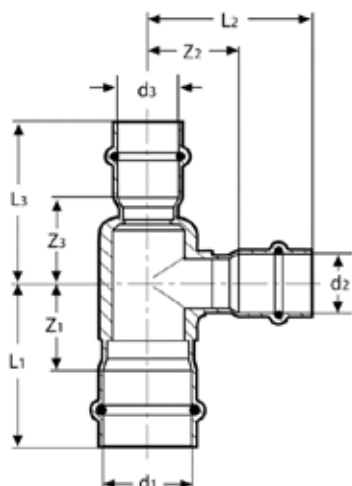
CODE	d1 x d2	L	Z
PG9243015012000	15x12	44	26
PG9243018015000	18x15	50	28
PG9243022015000	22x15	56	34
PG9243022018000	22x18	52	29
PG9243028015000	28x15	60	38
PG9243028018000	28x18	59	36
PG9243028022000	28x22	58	34
PG9243035022000	35x22	64	40
PG9243035028000	35x28	59	34
PG9243042022000	42x22	76	52
PG9243042028000	42x28	74	49
PG9243042035000	42x35	68	42
PG9243054035000	54x35	89	63
PG9243054042000	54x42	90	54

PG9130 TEE F/F/F



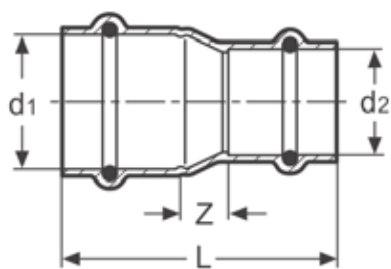
CODE	d	L1	L2	Z1	Z2
PG9130012012012	12	29	29	11	11
PG9130015015015	15	41	33	19	11
PG9130018018018	18	42	35	19	12
PG9130022022022	22	45	39	21	15
PG9130028028028	28	48	46	23	21
PG9130035035035	35	53	48	27	22
PG9130042042042	42	65	65	29	29
PG9130054054054	54	75	75	35	35

PG9131 Reducing TEE F/F/F



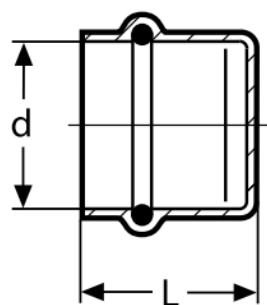
CODE	d1xd2xd3	L1	Z1	L2	Z2	L3	Z3
PG9131012015012	12x15x12	38	20	32	10	38	20
PG9131015012012	15x12x12	39	17	30	12	39	21
PG9131015012015	15x12x15	39	17	30	12	39	17
PG9131015015012	15x15x12	41	19	33	11	41	19
PG9131018015018	18x15x18	41	18	35	13	41	18
PG9131022012022	22x12x22	39	15	33	15	39	15
PG9131022015015	22x15x15	41	17	37	15	47	25
PG9131022015022	22x15x22	41	17	37	15	41	17
PG9131022018022	22x18x22	42	18	37	14	42	18
PG9131022022015	22x22x15	45	21	38	14	51	29
PG9131028015028	28x15x28	41	16	41	19	41	16
PG9131028018028	28x18x28	42	17	41	18	42	17
PG9131028022022	28x22x22	45	20	42	18	50	26
PG9131028022028	28x22x28	45	20	42	18	45	20
PG9131028028022	28x28x22	48	23	43	18	53	29
PG9131035022035	35x22x35	46	20	45	21	46	20
PG9131035028035	35x28x35	49	23	46	21	49	23
PG9131042028042	42x28x42	55	19	53	28	55	19
PG9131042035042	42x35x42	58	22	55	29	58	22
PG9131054042054	54x42x54	69	29	71	35	69	29

PG9240 Reducing Coupler F/F



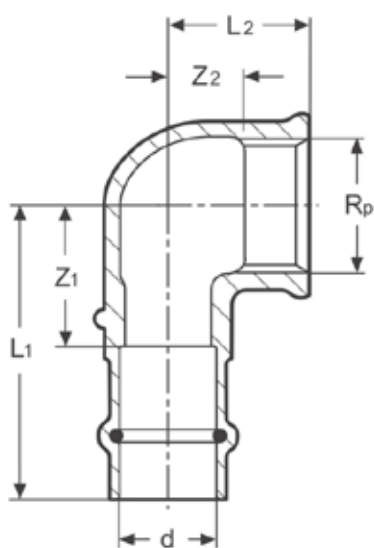
CODE	d1xd2	L	Z
PG9240015012000	15x12	46	6
PG9240022015000	22x15	58	12
PG9240022018000	22x18	55	8
PG9240028022000	28x22	58	9
PG9240035028000	35x28	62	11

PG9301 Stop end F



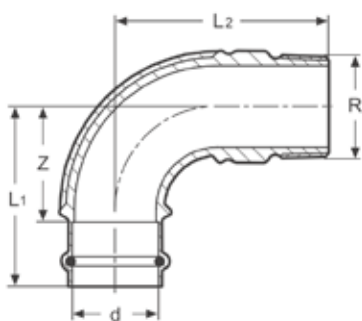
CODE	d	L
PG9301015000000	15	25
PG9301018000000	18	26
PG9301022000000	22	27
PG9301028000000	28	28
PG9301035000000	35	30
PG9301042000000	42	40
PG9301054000000	54	45

PG8090 90° female elbow, Rp thread



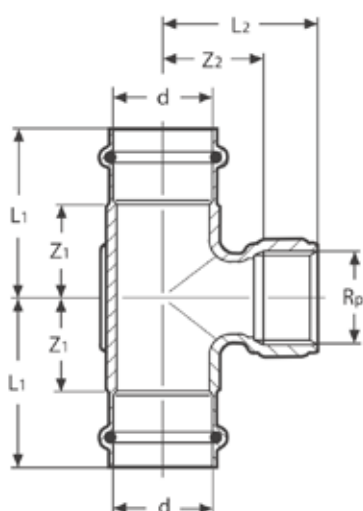
CODE	Rpxd	L1	L2	Z1	Z2
PG8090A38012000	3/8x12	44	18	26	9
PG8090A38015000	3/8x15	47	19	25	10
PG8090A12012000	1/2x12	44	22	26	11
PG8090A12015000	1/2x15	45	24	23	13
PG8090A12018000	1/2x18	47	24	24	13
PG8090A12022000	1/2x22	49	24	25	13
PG8090A34015000	3/4x15	49	31	27	16
PG8090A34018000	3/4x18	50	24	27	9
PG8090A34022000	3/4x22	49	29	25	6
PG8090B01022000	1x22	60	33	36	10
PG8090B01028000	1x28	61	33	36	9
PG8090B14035000	1.1/4x35	67	40	41	22
PG8090B12042000	1.1/2x42	77	43	41	25
RB8090C02054000	2x54	97	57	57	39

PG8092 90° female elbow, R thread



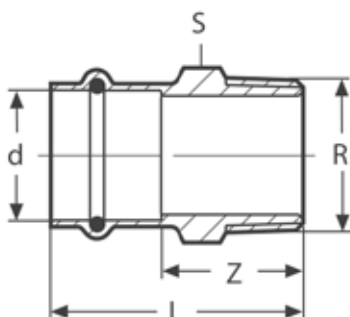
CODE	Rxd	L1	L2	Z
PG8092A38015000	3/8x15	42	32	20
PG8092A12012000	1/2x12	43	34	25
PG8092A12015000	1/2x15	44	34	22
PG8092A12018000	1/2x18	47	49	24
PG8092A34018000	3/4x18	49	50	26
PG8092A34022000	3/4x22	55	39	31
PG8092B01028000	1x28	59	73	34
PG8092B14035000	1.1/4x35	70	86	44
PG8092B12042000	1.1/2x42	87	95	51
PG8092C02054000	2x54	110	118	66

PG8130 Female equal Tee, Rp thread



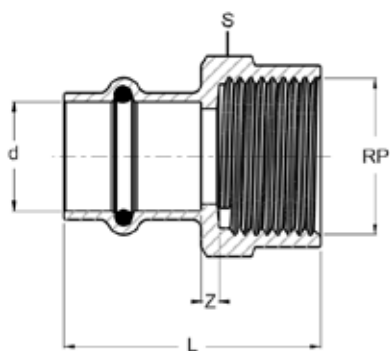
CODE	Rpxd	L1	L2	Z1	Z2
PG8130012A12012	1/2x12	44	23	26	13
PG8130015A12015	1/2x15	45	23	23	13
PG8130015A38015	3/8x15	43	22	21	12
PG8130018A12018	1/2x18	47	24	24	14
PG8130022A12022	1/2x22	48	25	24	15
PG8130022A34022	3/4x22	53	31	29	16
PG8130028A12028	1/2x28	53	50	28	35
PG8130028A34028	3/4x28	53	50	27	35
PG8130028B01028	1x28	56	35	30	20
PG8130035A12035	1/2x35	49	38	23	23
PG8130042A12042	1/2x42	55	50	19	35
PG8130054A12054	1/2x54	67	54	27	39

PG8243 Female coupler, R thread



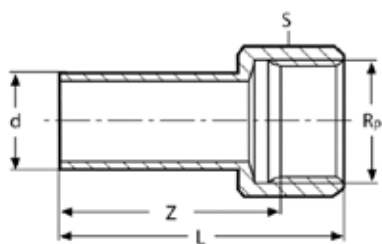
CODE	Rxd	L	Z	S
PG8243A38012000	3/8x12	40	22	21
PG8243A38015000	3/8x15	44	22	25
PG8243A12012000	1/2x12	43	25	21
PG8243A12015000	1/2x15	46	24	25
PG8243A12018000	1/2x18	48	25	27
PG8243A12022000	1/2x22	49	25	32
PG8243A34015000	3/4x15	48	26	28
PG8243A34018000	3/4x18	49	26	28
PG8243A34022000	3/4x22	51	27	32
PG8243A34028000	3/4x28	52	27	38
PG8243B01022000	1x22	52	28	34
PG8243B01028000	1x28	54	29	38
PG8243B01035000	1x35	58	32	46
PG8243B14028000	1.1/4x28	58	33	42
PG8243B14035000	1.1/4x35	60	34	46
PG8243B14042000	1.1/4x42	75	39	56
PG8243B12035000	1.1/2x35	60	34	48
PG8243B12042000	1.1/2x42	75	39	56
PG8243B12054000	1.1/2x54	81	41	68
PG8243C02054000	2x54	86	46	68

PG8270 Female coupler, Rp thread



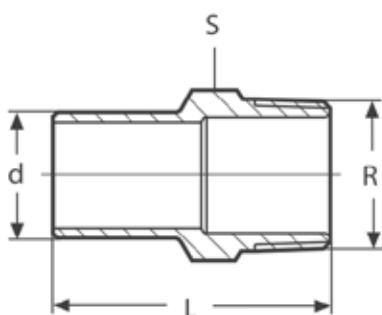
CODE	Rpxd	L	Z	S
PG8270A38012000	3/8x12	35	5	25
PG8270A12012000	1/2x12	36	3	25
PG8270A12015000	1/2x15	40	3	25
PG8270A12018000	1/2x18	41	3	27
PG8270A12022000	1/2x22	41	2	32
PG8270A34015000	3/4x15	41	2	32
PG8270A34018000	3/4x18	44	4	31
PG8270A34022000	3/4x22	46	5	32
PG8270A34028000	3/4x28	48	8	38
PG8270B01022000	1x22	47	4	38
PG8270B01028000	1x28	48	4	38
PG8270B01035000	1x35	47	2	46
PG8270B14035000	1.1/4x35	52	4	48
PG8270B12042000	1.1/2x42	65	7	56
PG8270C02054000	2x54	80	16	68

RB8272 Coupler , Rp thread



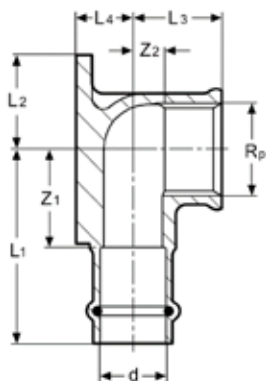
CODE	Rpxd	L	Z	S
RB8272A38012000	3/8x12	37	25	21
RB8272A38015000	3/8x15	41	29	21
RB8272A12012000	1/2x12	41	26	25
RB8272A12015000	1/2x15	45	30	25
RB8272A12018000	1/2x18	46	31	25
RB8272A12022000	1/2x22	47	32	25
RB8272A34018000	3/4x18	48	31	31
RB8272A34022000	3/4x22	49	32	31
RB8272B01028000	1x28	54	34	38
RB8272B14035000	1.1/4x35	57	35	48
RB8272B12042000	1.1/2x42	68	46	55
RB8272C02054000	2x54	76	50	68

RB8244 Male coupler, R thread



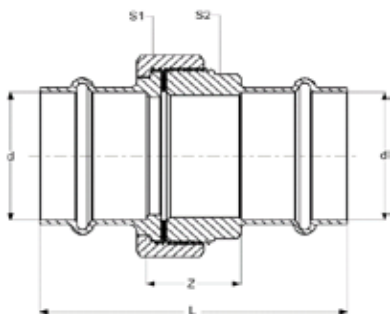
CODE	Rxd	L	S
RB8244A12012000	1/2x12	46	21
RB8244A12015000	1/2x15	49	21
RB8244A12018000	1/2x18	50	21
RB8244A12022000	1/2x22	51	25
RB8244A34018000	3/4x18	53	27
RB8244A34022000	3/4x22	54	27
RB8244B01028000	1x28	57	34
RB8244B14035000	1.1/4x35	64	42
RB8244B12042000	1.1/2x42	74	48

PG8471 90° wall plate elbow Rp thread



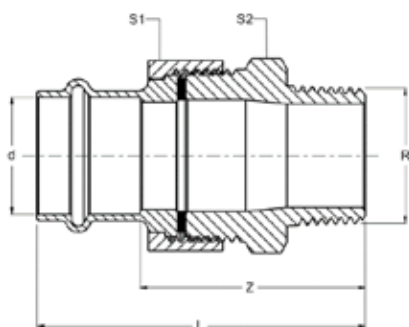
CODE	Rpxd	L1	Z1	L2	L3	Z2	L4
PG8471A12012000	1/2x12	43	24	22	22	10	12
PG8471A12015000	1/2x15	44	22	22	22	10	12
PG8471A12018000	1/2x18	45	22	22	24	12	12
PG8471A34022000	3/4x22	49	25	28	29	14	20

PG8340 Straight union with flat washer F/F



CODE	d	L	Z	S1	S2
PG8340015015000	15	73	29	24	25
PG8340018018000	18	78	32	30	31
PG8340022022000	22	86	38	37	34
PG8340028028000	28	86	36	46	42
PG8340035035000	35	93	41	52	50
PG8340042042000	42	118	46	64	60
PG8340054054000	54	115	35	85	75

PG8341 Straight union with flat washer R thread



CODE	Rxd	L	Z	S1	S2
PG8341A12012000	1/2x12	61	43	30	30
PG8341A12015000	1/2x15	66	44	30	30
PG8341A12018000	1/2x18	69	46	30	30
PG8341A34015000	3/4x15	69	47	30	30
PG8341A34018000	3/4x18	72	49	30	30
PG8341A34022000	3/4x22	86	62	30	30
PG8341B01022000	1x22	81	57	37	35
PG8341B01028000	1x28	83	58	46	45
PG8341B14035000	1.1/4x35	88	62	52	50
PG8341B12042000	1.1/2x42	98	62	64	60
PG8341C02054000	2x54	106	66	85	75

Frabo reserves the right to change packaging and product specifications at any time and without notice in order to improve their use.

FRA.BO s.p.A.

HEADQUARTER

Via Cadorna, 30 - 25027 Quinzano d'Oglio (BS) - Italy

MANUFACTURING UNIT

Via Circonvallazione, 7- 26020 Bordolano (CR) - Italy

T +39 030 99 25 711 F +39 030 99 24 127 @ info@frabo.com W www.frabo.com