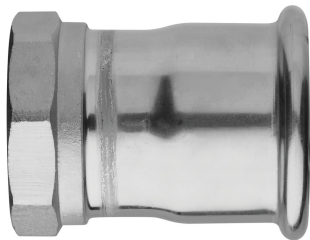
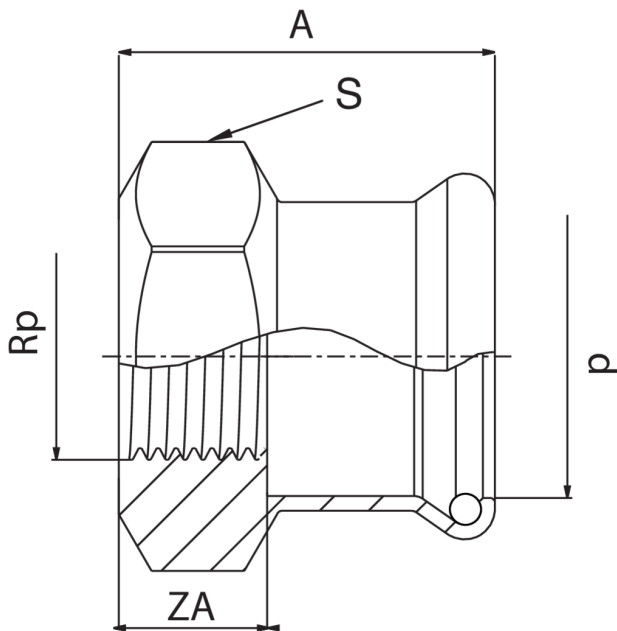


F/female thread adapter.



Technical specifications



D X RP	BAG	MASTER BOX	CODE	A	S	ZA
76,1 x 2"1/2	1	8	AXF270C12076000	114	86	60
88,9 x 3"	1	5	AXF270D03089000	125	98	64
108 x 4"	1	3	AXF270E04108000	151	122	75

Applications



DRINKING WATER



HEATING



HVAC



COMPRESSED AIR



FIREFIGHTING



MARINE



STEAM



SOLAR



INDUSTRIAL