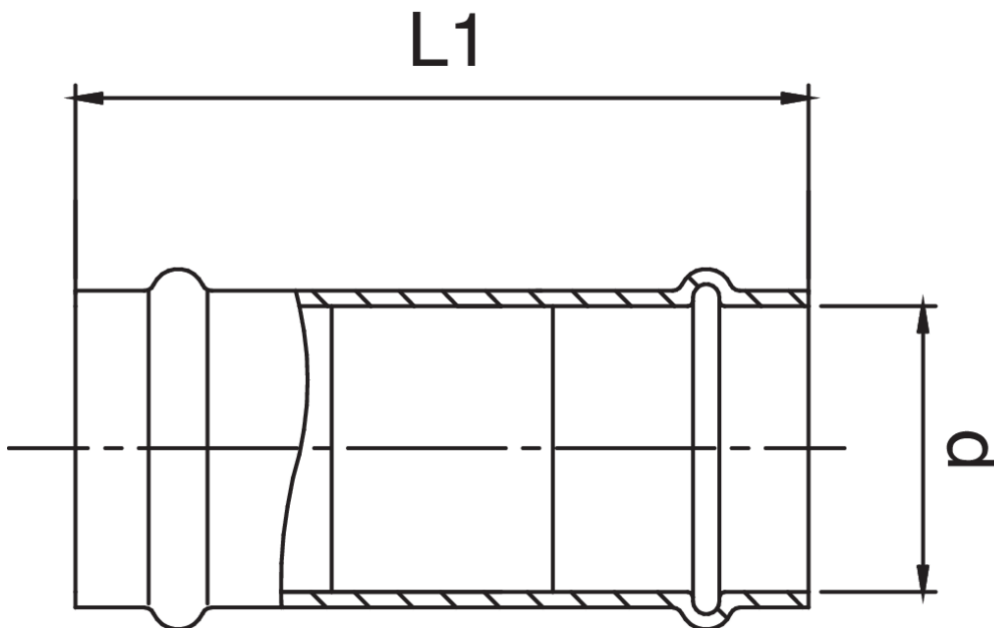


Copper F/F slip coupling.



## Technical specifications



D	BAG	MASTER BOX	CODE	L1
12	10	150	PG9271012012000	58
15	10	150	PG9271015015000	82
18	10	100	PG9271018018000	92
22	5	60	PG9271022022000	97
28	5	40	PG9271028028000	107
35	5	30	PG9271035035000	114
42	5	15	PG9271042042000	142
54	1	10	PG9271054054000	144

# Applications



GAS



INDUSTRIAL



COMPRESSED  
AIR