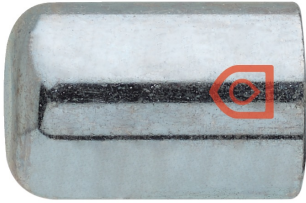


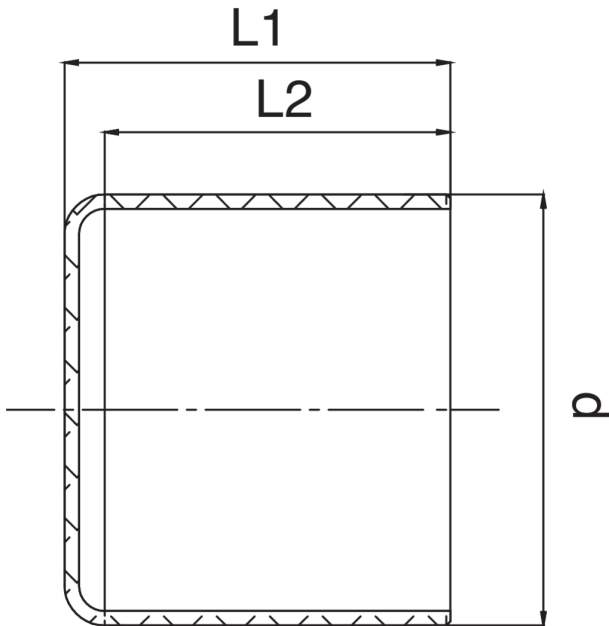
ZC0301

M plug.



Technical specifications

Drawing



Table

D	BAG	MASTER BOX	CODE	L1	L2
15	10	200	ZC0301015000000	28	22
18	10	200	ZC0301018000000	30	23
22	10	200	ZC0301022000000	32	24

D	BAG	MASTER BOX	CODE	L1	L2
28	10	150	ZC0301028000000	33	25
35	10	80	ZC0301035000000	34	26
42	5	50	ZC0301042000000	44	36
54	5	20	ZC0301054000000	48	40

Applications



HEATING



HVAC



COMPRESSED
AIR



FIREFIGHTING