

ZCF359

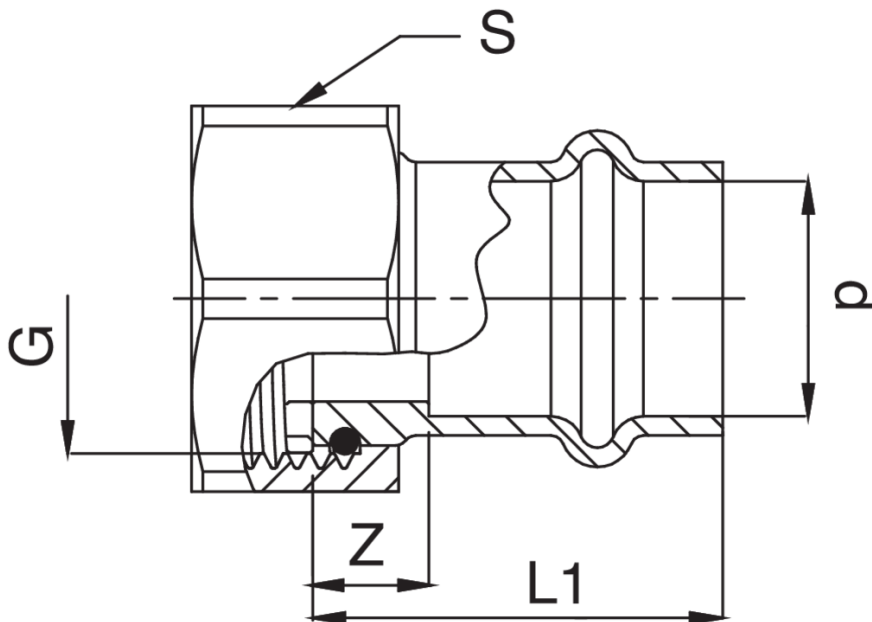
**BREVETTATO
PATENTED**

F/female thread valve connector with a swivel nut in brass.



Technical specifications

Drawing



Table

G X D	BAG	MASTER BOX	CODE	L1	S	Z
1/2" x 15	5	100	ZCF359A12015000	44	24	22
1/2" x 18	10	100	ZCF359A12018000	44	24	22
3/4" x 15	5	100	ZCF359A34015000	29	30	7
3/4" x 18	5	100	ZCF359A34018000	32	30	9

G X D	BAG	MASTER BOX	CODE	L1	S	Z
3/4" x 22	10	100	ZCF359A34022000	46	30	22
1" x 18	5	100	ZCF359B01018000	38	37	14
1" x 22	5	100	ZCF359B01022000	38	37	14
1"1/2 x 35	5	30	ZCF359B12035000	34	46	9
1"1/4 x 28	10	50	ZCF359B14028000	34	46	9
2" x 42	5	20	ZCF359C02042000	48	64	12
2"1/2 x 54	1	10	ZCF359C12054000	45	85	5

Applications



HEATING



HVAC



COMPRESSED
AIR



FIREFIGHTING