

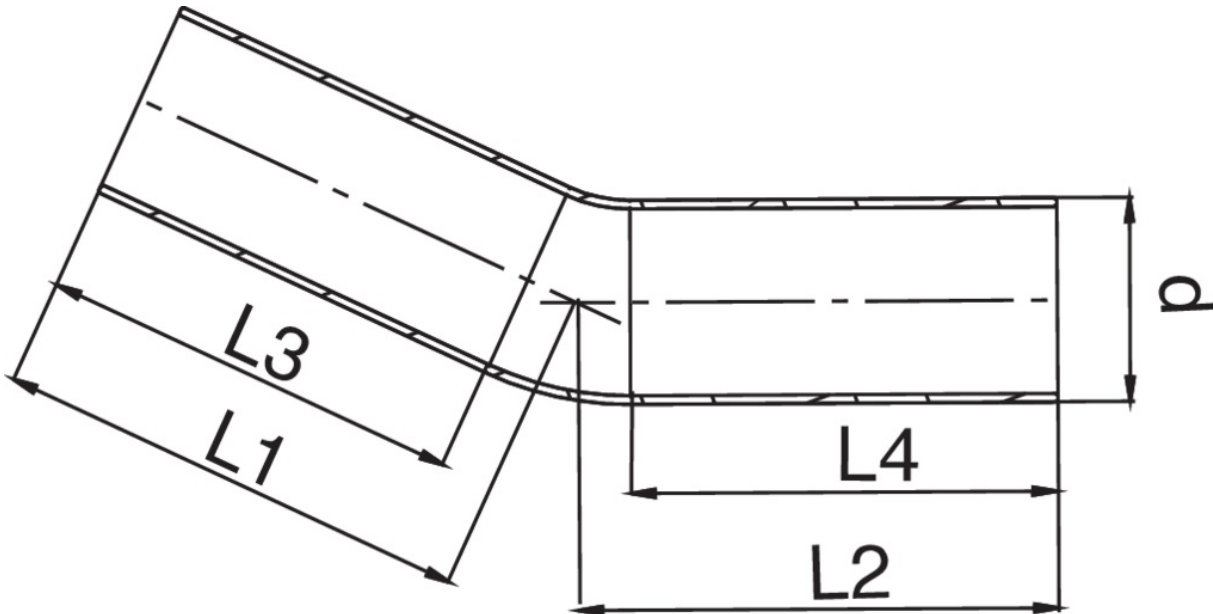


ZC0025

M/M 25° bend.

Technical specifications

Drawing



Table

D	BAG	MASTER BOX	CODE	L1	L2	L3 MIN	L4 MIN
35	1	20	ZC0025035035000	94	206	30	30
42	5	10	ZC0025042042000	114	262	45	45

Applications



HEATING



HVAC



COMPRESSED
AIR



FIREFIGHTING

