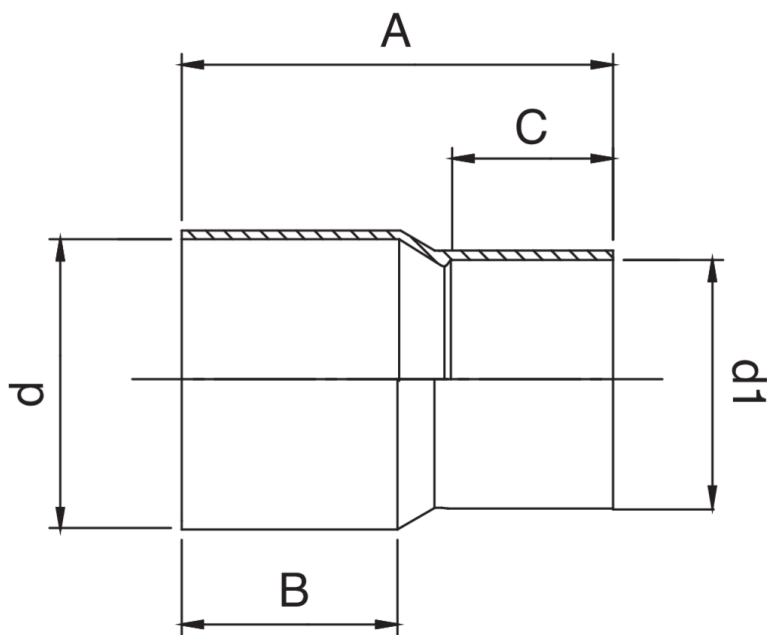


F/F reducing coupling.

Technical specifications



D X D1	BAG	MASTER BOX	CODE	A	B MIN	C MIN
8 x 6	10	2000	RR5240008006000	15,5	6,8	5,8
10 x 6	10	2000	RR5240010006000	18	7,8	5,8
10 x 8	10	1000	RR5240010008000	18,5	7,8	6,8
12 x 6	10	1000	RR5240012006000	20,5	8,6	5,8
12 x 8	10	1000	RR5240012008000	20,5	8,6	6,8
12 x 10	10	600	RR5240012010000	20,5	8,6	7,8
14 x 10	10	600	RR5240014010000	24	10,6	7,8
14 x 12	10	500	RR5240014012000	23,5	10,6	8,6
15 x 8	10	1000	RR5240015008000	24	10,6	6,8
15 x 10	10	600	RR5240015010000	24	10,6	7,8
15 x 12	10	500	RR5240015012000	23,8	10,6	8,6
15 x 14	10	500	RR5240015014000	25	10,6	10,6
16 x 10	10	500	RR5240016010000	24	10,6	7,8
16 x 12	10	500	RR5240016012000	24	10,6	8,6

D X D1	BAG	MASTER BOX	CODE	A	B MIN	C MIN
16 x 14	10	400	RR5240016014000	25	10,6	10,6
16 x 15	10	500	RR5240016015000	24	10,6	10,6
18 x 10	10	400	RR5240018010000	28	12,6	7,8
18 x 12	10	400	RR5240018012000	28	12,6	8,6
18 x 14	10	700	RR5240018014000	28,5	12,6	10,6
18 x 15	10	350	RR5240018015000	28	12,6	10,6
18 x 16	10	600	RR5240018016000	28	12,6	10,6
20 x 12	10	200	RR5240020012000	30,5	15,4	8,6
20 x 14	10	300	RR5240020014000	33	15,4	10,6
20 x 16	10	300	RR5240020016000	33	15,4	10,6
20 x 18	10	300	RR5240020018000	33	15,4	12,6
22 x 10	10	300	RR5240022010000	32,5	15,4	7,8
22 x 12	10	250	RR5240022012000	32,5	15,4	8,6
22 x 14	10	300	RR5240022014000	34	15,4	10,6
22 x 15	10	250	RR5240022015000	34	15,4	10,6
22 x 16	10	300	RR5240022016000	34	15,4	10,6
22 x 18	10	240	RR5240022018000	34	-	-
22 x 20	10	250	RR5240022020000	35	-	-
25 x 22	10	250	RR5240025022000	36,5	-	-
28 x 10	10	300	RR5240028010000	39	-	-
28 x 12	10	300	RR5240028012000	38,5	-	-
28 x 14	10	250	RR5240028014000	41	-	-
28 x 15	10	250	RR5240028015000	42	-	-
28 x 16	10	250	RR5240028016000	41	-	-
28 x 18	10	250	RR5240028018000	39,5	-	-
28 x 20	10	250	RR5240028020000	41	-	-
28 x 22	10	150	RR5240028022000	41	-	-
32 x 16	10	250	RR5240032016000	46	-	-
32 x 18	10	250	RR5240032018000	46	-	-
32 x 20	10	200	RR5240032020000	47,5	-	-
32 x 22	10	200	RR5240032022000	47,5	-	-
32 x 28	10	200	RR5240032028000	48	-	-
35 x 12	10	250	RR5240035012000	47	-	-
35 x 15	10	250	RR5240035015000	48	-	-
35 x 18	10	200	RR5240035018000	48	-	-
35 x 22	10	200	RR5240035022000	48	-	-
35 x 28	10	200	RR5240035028000	48,5	-	-
35 x 32	5	170	RR5240035032000	52	-	-
36 x 22	5	200	RR5240036022000	48	-	-
36 x 28	5	150	RR5240036028000	50	-	-
36 x 32	5	170	RR5240036032000	52	-	-
36 x 35	5	150	RR5240036035000	52	-	-
40 x 22	5	190	RR5240040022000	56	-	-
40 x 28	5	120	RR5240040028000	55	-	-
40 x 32	5	120	RR5240040032000	58	-	-
40 x 35	5	120	RR5240040035000	57	-	-
40 x 36	5	120	RR5240040036000	56	27	23
42 x 15	5	190	RR5240042015000	56	27	10,6
42 x 18	5	190	RR5240042018000	56	27	12,6
42 x 22	5	100	RR5240042022000	57,5	27	15,4
42 x 28	5	130	RR5240042028000	56,5	27	18,4
42 x 32	5	120	RR5240042032000	60	27	23
42 x 35	5	120	RR5240042035000	58,5	27	23
42 x 36	5	100	RR5240042036000	57,5	27	23
42 x 40	5	80	RR5240042040000	59	27	27
52 x 28	5	50	RR5240052028000	69	32	18,4
52 x 32	5	50	RR5240052032000	69	32	23
52 x 35	5	50	RR5240052035000	68	32	23
52 x 36	5	50	RR5240052036000	68	32	23
52 x 40	5	50	RR5240052040000	70	32	27
52 x 42	5	50	RR5240052042000	69,5	32	27
54 x 22	5	90	RR5240054022000	68	32	15,4
54 x 28	5	70	RR5240054028000	69	32	18,4
54 x 35	5	50	RR5240054035000	68	32	23

D X D1	BAG	MASTER BOX	CODE	A	B MIN	C MIN
54 x 36	5	50	RR5240054036000	69	32	23
54 x 40	5	50	RR5240054040000	71	32	27
54 x 42	5	50	RR5240054042000	69,5	32	27
54 x 52	5	50	RR5240054052000	70	32	32
63 x 42	1	10	RR5240063042000	77	32,5	27
63 x 52	1	10	RR5240063052000	79	32,5	32
63 x 54	1	10	RR5240063054000	78	32,5	32
64 x 35	1	15	RR5240064035000	80	32,5	23
64 x 42	1	10	RR5240064042000	80	32,5	27
64 x 54	1	40	RR5240064054000	76	32,5	32
67 x 54	1	45	RR5240067054000	82	33,5	32
70 x 54	1	10	RR5240070054000	81	33,5	32
76 x 35	1	10	RR5240076035000	86	33,5	23
76 x 42	1	10	RR5240076042000	85	33,5	27
76 x 54	1	30	RR5240076054000	85	33,5	32
76 x 64	1	30	RR5240076064000	82	33,5	32,5
89 x 76	1	20	RR5240089076000	90	37,5	33,5
108 x 54	1	10	RR5240108054000	114	47,5	32
108 x 76	1	5	RR5240108076000	107	47,5	33,5
108 x 89	1	5	RR5240108089000	108	47,5	37,5

Applications



DRINKING
WATER



HEATING



HVAC



GAS



COMPRESSED
AIR



SOLAR



INDUSTRIAL