



FRABO

frabo
press
316 M
AX0001

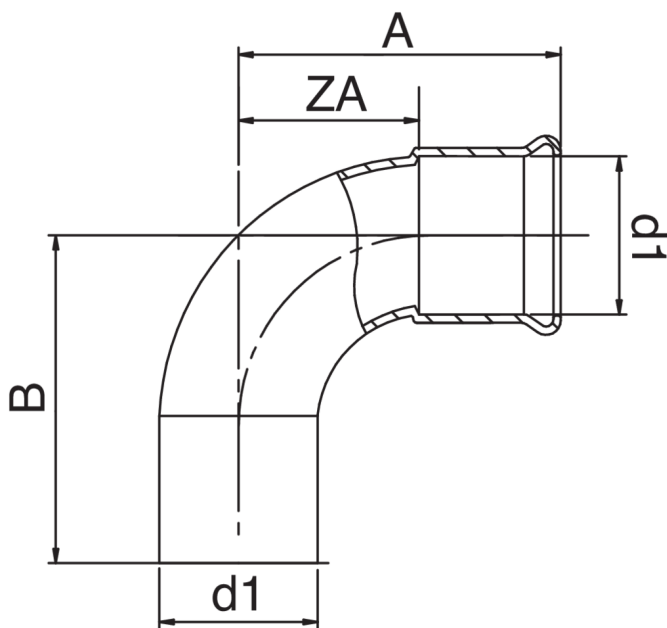
PATENTED



M/F 90° elbow.



Technical specifications



D1	BAG	MASTER BOX	CODE	A	B	ZA
76,1	1	5	AX0001076076000	145	152,5	91
88,9	1	4	AX0001089089000	172	182	111
108	1	2	AX0001108108000	208	220	132

Applications



DRINKING
WATER



HEATING



HVAC



COMPRESSED
AIR



FIREFIGHTING



MARINE



STEAM



SOLAR



INDUSTRIAL