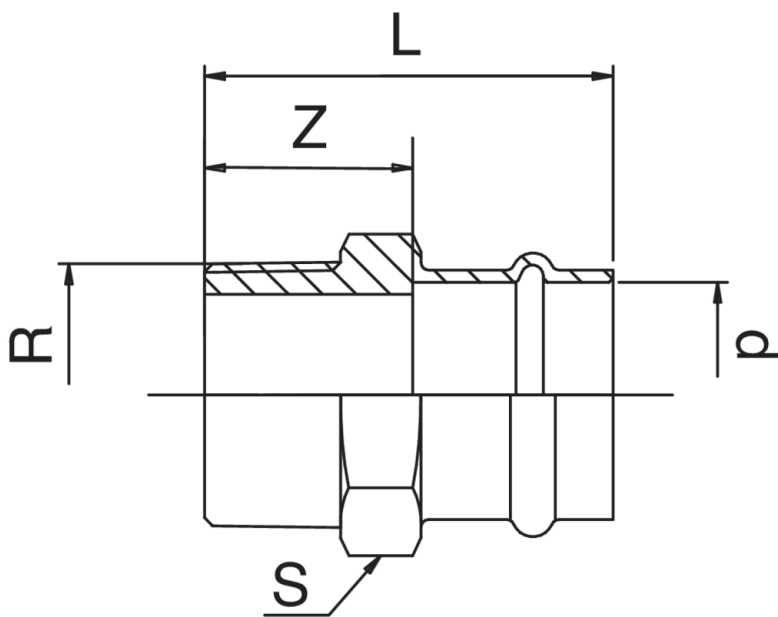


Manguito mixto H/rosca macho.

## Especificaciones técnicas



D X R	BAG	MASTER BOX	CÓDIGO	L	S	Z
15 x 1/2"	10	50	GXF243A12015000	43	23	21
18 x 1/2"	10	150	GXF243A12018000	62	22	21
18 x 3/4"	10	30	GXF243A34018000	49	30	26
22 x 1/2"	5	100	GXF243A12022000	46	31	20
22 x 3/4"	10	50	GXF243A34022000	47	31	21
22 x 1"	10	50	GXF243B01022000	55	34	31
28 x 3/4"	5	70	GXF243A34028000	47	32	22
28 x 1"	5	50	GXF243B01028000	49	36	24
35 x 1"	5	40	GXF243B01035000	70	36	52
35 x 1"1/4	5	40	GXF243B14035000	81	45	55
42 x 1"1/2	1	20	GXF243B12042000	86	48	51
54 x 2"	1	15	GXF243C02054000	100	60	60

# Aplicaciones



GAS



COMPRESSED  
AIR



INDUSTRIAL