

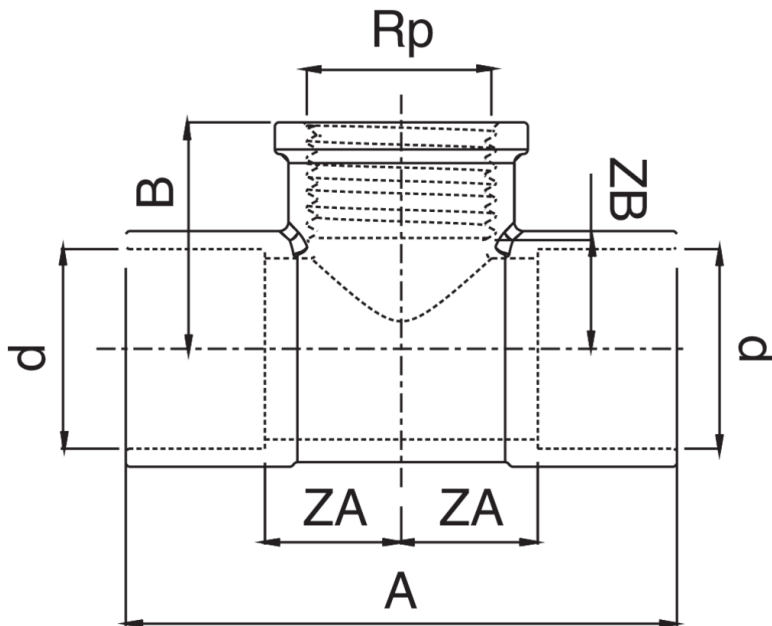
RB4130

T H/rosca hembra/H.



Especificaciones técnicas

Dibujo



Mesa

RP X D	BAG	MASTER BOX	CÓDIGO	A	B	ZA	ZB
1/2" x 10	10	200	RB4130010A12010	43	19	14	6
3/8" x 10	10	200	RB4130010A38010	38	17	11,5	8
1/2" x 12	10	150	RB4130012A12012	40	19	11,5	6
1/2" x 14	10	100	RB4130014A12014	44	22	11,5	9
3/8" x 14	10	150	RB4130014A38014	42	19	10,5	8
1/2" x 15	10	150	RB4130015A12015	45	22	12	9
3/8" x 15	10	150	RB4130015A38015	42	20	10,5	7

RP X D	BAG	MASTER BOX	CÓDIGO	A	B	ZA	ZB
1/2" x 16	10	100	RB4130016A12016	57	23	18	10
1/2" x 18	10	100	RB4130018A12018	48	22	11,5	9
3/4" x 18	10	60	RB4130018A34018	55	25	15	10
3/8" x 18	10	150	RB4130018A38018	48	19	11,5	8
1/2" x 22	10	70	RB4130022A12022	61	25	15,5	12
3/4" x 22	5	80	RB4130022A34022	61	24	15,5	13
3/8" x 22	10	150	RB4130022A38022	53	22	11,5	11
1/2" x 28	5	90	RB4130028A12028	66	29	14,5	16
3/4" x 28	5	40	RB4130028A34028	70	28	17	14
1" x 28	10	50	RB4130028B01028	72	35	17,5	17
1/2" x 35	5	25	RB4130035A12035	71	31	12,5	16

Aplicaciones



DRINKING
WATER



HEATING



HVAC



GAS



COMPRESSED
AIR



SOLAR



INDUSTRIAL