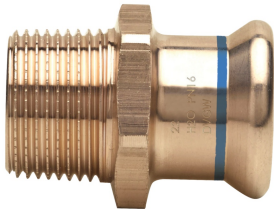
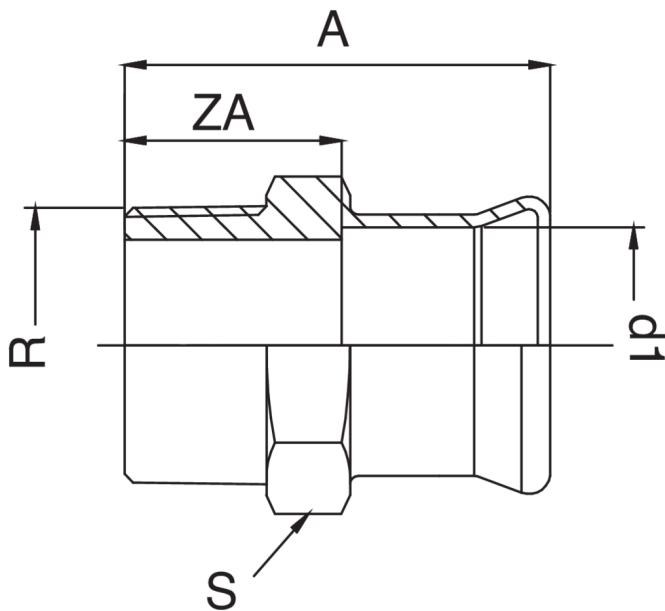


Manchon F/filetage mâle en bronze.



Spécifications techniques



D1 X R	BAG	MASTER BOX	CODE	A	S	ZA
12 x 3/8"	10	250	ZM8243A38012000	32,5	18	14,5
12 x 1/2"	10	200	ZM8243A12012000	35	19	17
15 x 3/8"	10	200	ZM8243A38015000	34	19	14
15 x 1/2"	10	150	ZM8243A12015000	35,5	21	15,5
15 x 3/4"	10	100	ZM8243A34015000	37	24	17
18 x 1/2"	10	150	ZM8243A12018000	36	24	16
18 x 3/4"	10	100	ZM8243A34018000	39	24	19
22 x 1/2"	10	100	ZM8243A12022000	39,5	27	16,5
22 x 3/4"	10	100	ZM8243A34022000	41	27	18
22 x 1"	5	50	ZM8243B01022000	43	27	20
28 x 3/4"	5	70	ZM8243A34028000	42	32	19
28 x 1"	5	50	ZM8243B01028000	43,5	34	20,5
28 x 1"1/4	5	50	ZM8243B14028000	49	34	26
35 x 1"	5	30	ZM8243B01035000	49	40	23
35 x 1"1/4	5	40	ZM8243B14035000	52	42	26
35 x 1"1/2	5	25	ZM8243B12035000	53	46	27
42 x 1"1/4	5	20	ZM8243B14042000	58	48	28
42 x 1"1/2	5	25	ZM8243B12042000	58	48	28
54 x 1"1/2	1	15	ZM8243B12054000	59	60	24
54 x 2"	1	10	ZM8243C02054000	65,5	58	30,5

Applications



DRINKING
WATER



HEATING



HVAC



COMPRESSED
AIR



FIREFIGHTING