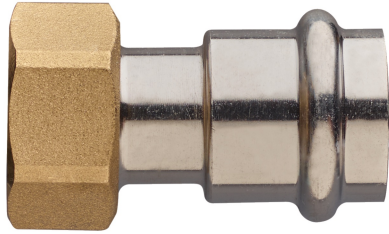




FRABO

frabo
press
316 V
ZXF359

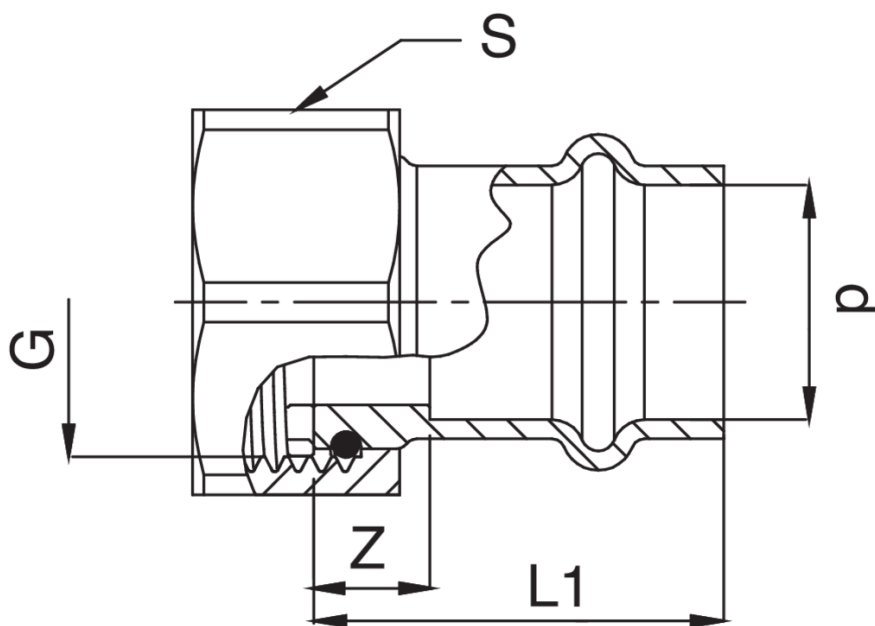
PATENTED



Raccord avec écrou en laiton F/filetage femelle.



Spécifications techniques



| D X G | BAG | MASTER BOX | CODE | L1 | S | Z |
|--------------|------------|-------------------|-----------------|-----------|----------|----------|
| 15 x 1/2" | 10 | 50 | ZXF359A12015000 | 44 | 24 | 22 |
| 15 x 3/4" | 10 | 100 | ZXF359A34015000 | 29 | 30 | 7 |
| 18 x 3/4" | 5 | 100 | ZXF359A34018000 | 32 | 30 | 9 |
| 22 x 3/4" | 5 | 50 | ZXF359A34022000 | 46 | 30 | 22 |
| 22 x 1" | 5 | 100 | ZXF359B01022000 | 38 | 37 | 14 |
| 28 x 1"1/4 | 10 | 50 | ZXF359B14028000 | 34 | 46 | 9 |
| 35 x 1"1/2 | 5 | 20 | ZXF359B12035000 | 34 | 46 | 9 |
| 42 x 2" | 1 | 20 | ZXF359C02042000 | 48 | 64 | 12 |
| 54 x 2"1/2 | 1 | 10 | ZXF359C12054000 | 45 | 85 | 5 |

Applications



DRINKING WATER



HEATING



HVAC



COMPRESSED AIR



FIREFIGHTING



MARINE



STEAM



SOLAR



INDUSTRIAL