

**ZC0340**

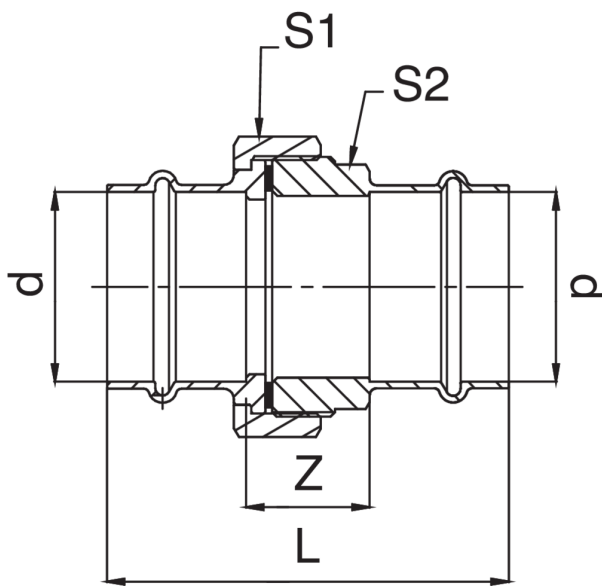
**PATENTED**

Union F/F à joint plat.



## Spécifications techniques

Dessin



Table

D	BAG	MASTER BOX	CODE	L	S1	S2	Z
15	5	40	ZC0340015015000	90	24	25	46
18	5	30	ZC0340018018000	100	30	30	54
22	5	30	ZC0340022022000	103	37	34	55
28	5	20	ZC0340028028000	96	46	45	46
35	1	15	ZC0340035035000	125	52	50	73
42	5	10	ZC0340042042000	132	64	60	60
54	5	15	ZC0340054054000	148	85	75	68

# Applications

---



HEATING



HVAC



COMPRESSED  
AIR



FIREFIGHTING