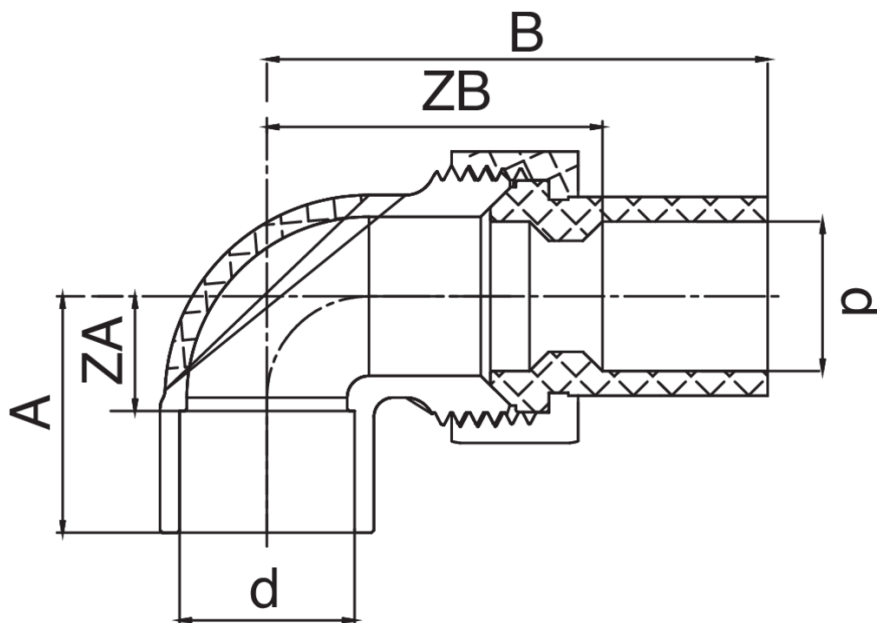


## B4096B

Coude union 3 pièces à joint conique, F/F.

### Spécifications techniques

Dessin



Table

D	BAG	MASTER BOX	CODE	A	B	ZA	ZB
12	10	150	B4096B012012000	17,5	37	9	29
14	10	100	B4096B014014000	20	38	9	27
15	10	100	B4096B015015000	20	40	9	29

D	BAG	MASTER BOX	CODE	A	B	ZA	ZB
16	10	100	B4096B016016000	20	39,5	9	29
18	10	100	B4096B018018000	24	43	11	30
22	10	70	B4096B022022000	29,5	48	14	33
28	10	50	B4096B028028000	36,5	55,5	18	37
35	5	10	B4096B035035000	45	69	22	46

## Applications



DRINKING  
WATER



HEATING



HVAC



GAS



COMPRESSED  
AIR



SOLAR



INDUSTRIAL