



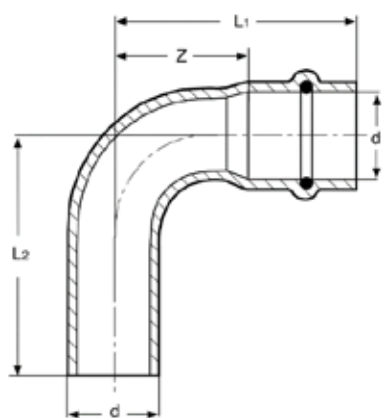
FICHE TECHNIQUE DES DIMENSIONS
FRABOPRESS H20 SECURFRABO
RACCORDS A SERTIR EN CUIVRE ET BRONZE

FRABOPRESS H2O SECURFRABO

Raccords à sertir en cuivre et bronze

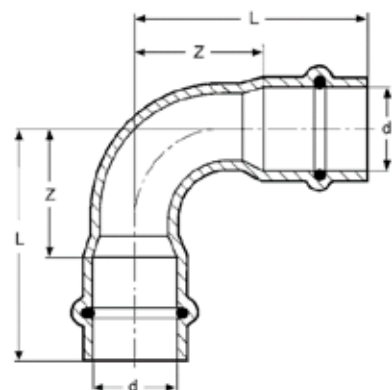


RZ9001 Coude 90° MF

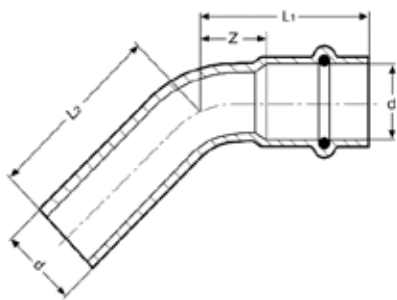


CODE	d	L1	Z	L2
RZ9001012012000	12	33	15	34
RZ9001014014000	14	40	18	42
RZ9001015015000	15	40	18	42
RZ9001016016000	16	40	18	42
RZ9001018018000	18	45	22	47
RZ9001022022000	22	51	27	52
RZ9001028028000	28	59	34	61
RZ9001035035000	35	68	42	70
RZ9001042042000	42	87	51	88
RZ9001054054000	54	105	65	107

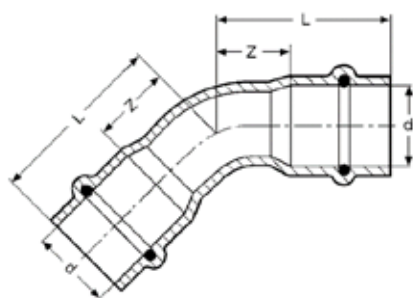
RZ9002 Coude 90° FF



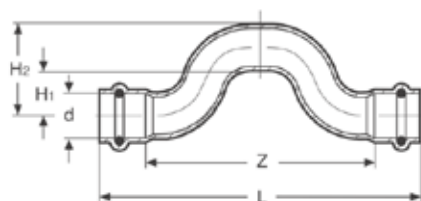
CODE	d	L	Z
RZ9002012012000	12	33	15
RZ9002014014000	14	40	18
RZ9002015015000	15	40	18
RZ9002016016000	16	40	18
RZ9002018018000	18	45	22
RZ9002022022000	22	47	23
RZ9002028028000	28	59	34
RZ9002035035000	35	68	42
RZ9002042042000	42	87	51
RZ9002054054000	54	105	65

RZ9040 Coude 45° MF

CODE	d	L1	Z	L2
RZ9040012012000	12	25	7	26
RZ9040014014000	14	29	7	30
RZ9040015015000	15	29	7	30
RZ9040016016000	16	29	7	30
RZ9040018018000	18	31	8	32
RZ9040022022000	22	34	10	36
RZ9040028028000	28	38	13	40
RZ9040035035000	35	43	17	45
RZ9040042042000	42	53	17	55
RZ9040054054000	54	68	28	70

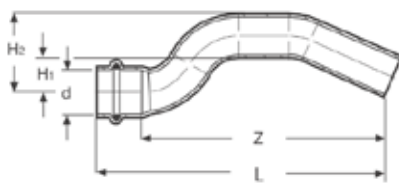
RZ9041 Coude 45°

CODE	d	L	Z
RZ9041012012000	12	25	7
RZ9041014014000	14	29	7
RZ9041015015000	15	29	7
RZ9041016016000	16	29	7
RZ9041018018000	18	31	8
RZ9041022022000	22	34	10
RZ9041028028000	28	38	13
RZ9041035035000	35	43	17
RZ9041042042000	42	53	17
RZ9041054054000	54	68	28

RZ9085 Chapeau de gendarme FF

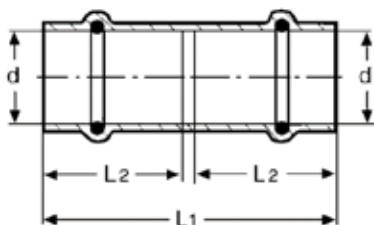
CODE	d	L	Z	H1	H2
RZ9085015015000	15	152	110	27	35
RZ9085018018000	18	176	130	28	37
RZ9085022022000	22	198	150	30	41

RZ9086 Clarinette MF



CODE	d	L	Z	H1	H2
RZ9086012012000	12	112	96	20	32
RZ9086015015000	15	119	98	20	35
RZ9086018018000	18	137	114	20	38
RZ9086022022000	22	160	136	30	52

RZ9270 Manchon FF



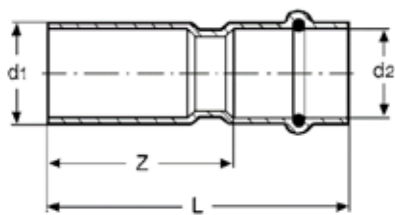
CODE	d	L1	L2
RZ9270012012000	12	40	18
RZ9270014014000	14	49	22
RZ9270015015000	15	49	22
RZ9270016016000	16	49	22
RZ9270018018000	18	52	23
RZ9270022022000	22	53	24
RZ9270028028000	28	57	25
RZ9270035035000	35	62	26
RZ9270042042000	42	78	36
RZ9270054054000	54	93	40

RZ9271 Manchon coulissant FF



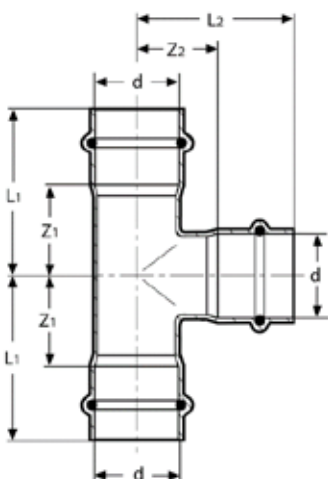
CODE	d	L1	L2
RZ9271012012000	12	58	18
RZ9271015015000	15	82	22
RZ9271018018000	18	92	23
RZ9271022022000	22	97	24
RZ9271028028000	28	107	25
RZ9271035035000	35	114	26
RZ9271042042000	42	142	41
RZ9271054054000	54	163	45

RZ9243 Réduction MF



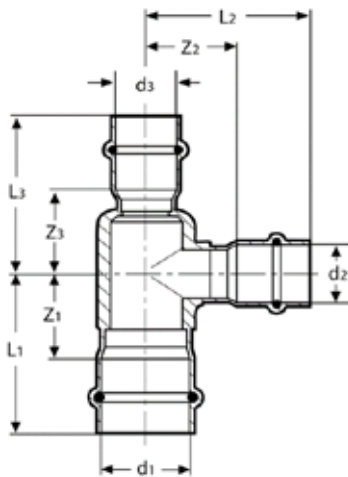
CODE	d1 x d2	L	Z
RZ9243014012000	14x12	44	26
RZ9243015012000	15x12	44	26
RZ9243016012000*	16x12	44	26
RZ9243016014000	16x14	46	27
RZ9243018012000	18x12	47	29
RZ9243018014000	18x14	50	28
RZ9243018015000	18x15	50	28
RZ9243018016000	18x16	50	28
RZ9243022014000	22x14	56	34
RZ9243022015000	22x15	56	34
RZ9243022016000	22x16	56	34
RZ9243022018000	22x18	52	29
RZ9243028015000	28x15	60	38
RZ9243028018000	28x18	59	36
RZ9243028022000	28x22	58	34
RZ9243035022000	35x22	64	40
RZ9243035028000	35x28	59	34
RZ9243042022000	42x22	76	52
RZ9243042028000	42x28	74	49
RZ9243042035000	42x35	68	42
RZ9243054035000	54x35	89	63
RZ9243054042000	54x42	90	54

RZ9130 T égal



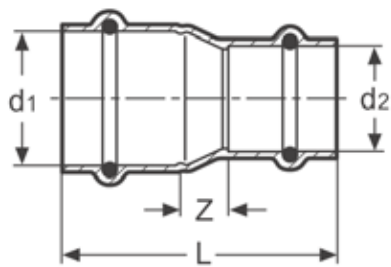
CODE	d	L1	L2	Z1	Z2
RZ9130012012012	12	29	29	11	11
RZ9130014014014	14	41	33	19	11
RZ9130015015015	15	41	33	19	11
RZ9130016016016	16	41	33	19	11
RZ9130018018018	18	42	35	19	12
RZ9130022022022	22	45	39	21	15
RZ9130028028028	28	48	46	23	21
RZ9130035035035	35	53	48	27	22
RZ9130042042042	42	65	65	29	29
RZ9130054054054	54	75	75	35	35

RZ9131 T réduit FFF



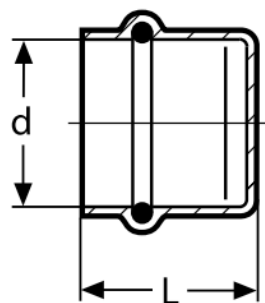
CODE	d1xd2xd3	L1	Z1	L2	Z2	L3	Z3
RZ9131012015012	12x15x12	38	20	32	10	38	20
RZ9131014012014	14x12x14	39	17	29	11	39	17
RZ9131015012012	15x12x12	39	17	30	12	39	21
RZ9131015012015	15x12x15	39	17	30	12	39	17
RZ9131015015012	15x15x12	41	19	33	11	41	19
RZ9131015018015	15x18x15	42	20	35	12	42	20
RZ9131015022015	15x22x15	45	23	38	14	45	23
RZ9131016014016	16x14x16	39	17	32	10	39	17
RZ9131018012015	18x12x15	39	16	32	13	93	16
RZ9131018012018	18x12x18	39	16	31	13	39	16
RZ9131018015015	18x15x15	41	18	35	13	45	23
RZ9131018015018	18x15x18	41	18	35	13	41	18
RZ9131018018015	18x18x15	42	19	35	12	47	25
RZ9131018022018	18x22x18	45	22	36	12	45	22
RZ9131022012022	22x12x22	39	15	33	15	39	15
RZ9131022015015	22x15x15	41	17	37	15	47	25
RZ9131022015018	22x15x18	41	17	37	15	44	21
RZ9131022015022	22x15x22	41	17	37	15	41	17
RZ9131022018015	22x18x15	42	18	37	14	50	28
RZ9131022018018	22x18x18	42	18	37	14	47	24
RZ9131022018022	22x18x22	42	18	37	14	42	18
RZ9131022022015	22x22x15	45	21	38	14	51	29
RZ9131022022018	22x22x18	45	21	38	14	51	28
RZ9131022028022	22x28x22	48	24	39	14	48	24
RZ9131028015022	28x15x22	41	16	41	19	45	21
RZ9131028015028	28x15x28	41	16	41	19	41	16
RZ9131028018022	28x18x22	42	17	41	18	47	23
RZ9131028018028	28x18x28	42	17	41	18	42	17
RZ9131028022022	28x22x22	45	20	42	18	50	26
RZ9131028022028	28x22x28	45	20	42	18	45	20
RZ9131028028022	28x28x22	48	23	43	18	53	29
RZ9131035015035	35x15x35	44	18	44	22	44	18
RZ9131035018035	35x18x35	44	18	44	21	44	18
RZ9131035022028	35x22x28	46	20	45	21	52	27
RZ9131035022035	35x22x35	46	20	45	21	46	20
RZ9131035028028	35x28x28	49	23	46	21	55	30
RZ9131035028035	35x28x35	49	23	46	21	49	23
RZ9131035035022	35x35x22	52	26	50	24	62	38
RZ9131035035028	35x35x28	52	26	50	24	59	34
RZ9131042022042	42x22x42	53	17	52	28	53	17
RZ9131042028042	42x28x42	55	19	53	28	55	19
RZ9131042035042	42x35x42	58	22	55	29	58	22
RZ9131054022054	54x22x54	60	20	58	34	60	20
RZ9131054028054	54x28x54	63	23	59	34	63	23
RZ9131054035054	54x35x54	68	28	61	35	68	28
RZ9131054042054	54x42x54	69	29	71	35	69	29

RZ9240 Réduction FF



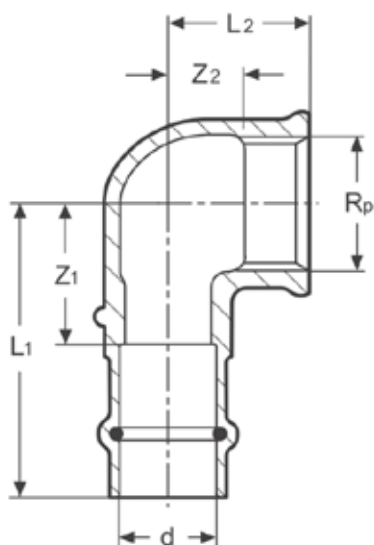
CODE	d1xd2	L	Z
RZ9240014012000	14x12	46	6
RZ9240015012000	15x12	46	6
RZ9240016014000	16x14	48	4
RZ9240018015000	18x15	50	5
RZ9240018016000	18x16	50	5
RZ9240022015000	22x15	58	12
RZ9240022016000	22x16	58	12
RZ9240022018000	22x18	55	8
RZ9240028022000	28x22	58	9
RZ9240035028000	35x28	62	11
RZ9240042035000	42x35	73	11
RZ9240054042000	54x42	95	19

RZ9301 Bouchon



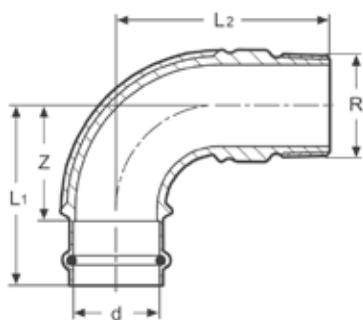
CODE	d	L
RZ9301012000000	12	21
RZ9301014000000	14	25
RZ9301015000000	15	25
RZ9301016000000	16	25
RZ9301018000000	18	26
RZ9301022000000	22	27
RZ9301028000000	28	28
RZ9301035000000	35	30
RZ9301042000000	42	40
RZ9301054000000	54	45

RZ8090 Coude 90° F, filetage Rp

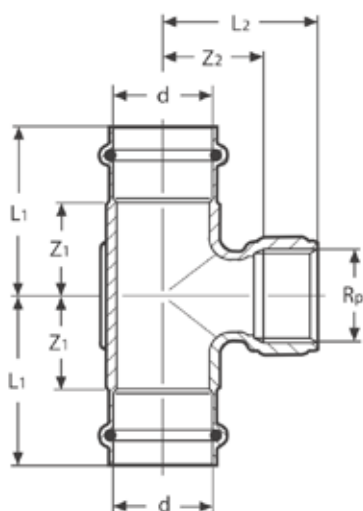


CODE	Rpxd	L1	L2	Z1	Z2
RZ8090A38012000	3/8x12	44	18	26	9
RZ8090A38015000	3/8x15	47	19	25	10
RZ8090A12012000	1/2x12	44	22	26	11
RZ8090A12015000	1/2x15	45	24	23	13
RZ8090A12018000	1/2x18	47	24	24	13
RZ8090A12022000	1/2x22	49	24	25	13
RZ8090A34015000	3/4x15	49	31	27	16
RZ8090A34018000	3/4x18	50	24	27	9
RZ8090A34022000	3/4x22	49	29	25	6
RZ8090B01022000	1x22	60	33	36	10
RZ8090B01028000	1x28	61	33	36	9
RZ8090B14035000	1.1/4x35	67	40	41	22
RZ8090B12042000	1.1/2x42	77	43	41	25
RZ8090C02054000	2x54	97	57	57	39

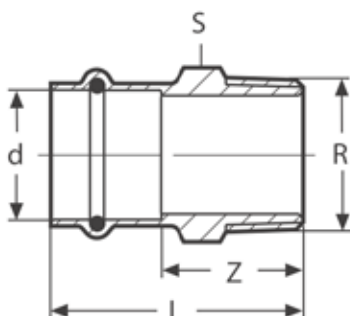
RZ8092 Coude 90° F, filetage R



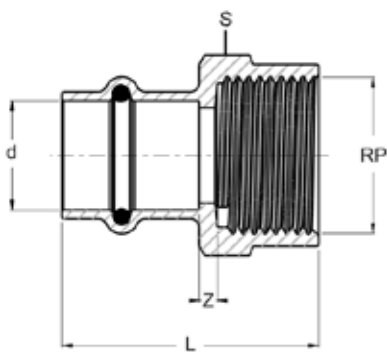
CODE	Rpxd	L1	L2	Z
RZ8092A38012000	3/8x12	42	32	24
RZ8092A38015000	3/8x15	42	32	20
RZ8092A12012000	1/2x12	43	34	25
RZ8092A12015000	1/2x15	44	34	22
RZ8092A12018000	1/2x18	47	49	24
RZ8092A34018000	3/4x18	49	50	26
RZ8092A34022000	3/4x22	55	39	31
RZ8092B01028000	1x28	59	73	34
RZ8092B14035000	1.1/4x35	70	86	44
RZ8092B12042000	1.1/2x42	87	95	51
RZ8092C02054000	2x54	110	118	66

RZ8130 Female equal tee, Rp thread

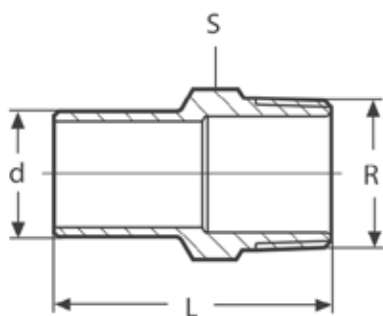
CODE	Rpxd	L1	L2	Z1	Z2
RZ8130015A38015	3/8x15	43	22	21	12
RZ8130012A12012	1/2x12	44	23	26	13
RZ8130014A12014	1/2x14	45	23	23	13
RZ8130015A12015	1/2x15	45	23	23	13
RZ8130018A12018	1/2x18	47	24	24	14
RZ8130022A12022	1/2x22	48	25	24	15
RZ8130028A12028	1/2x28	53	50	28	35
RZ8130035A12035	1/2x35	49	38	23	23
RZ8130042A12042	1/2x42	55	50	19	35
RZ8130054A12054	1/2x54	67	54	27	39
RZ8130022A34022	3/4x22	53	31	29	16
RZ8130028A34028	3/4x28	53	50	27	35
RZ8130028B01028	1x28	56	35	30	20

RZ8243 Manchon F, filetage R

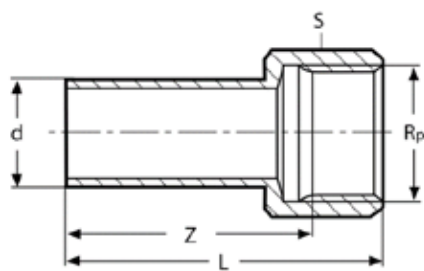
CODE	Rxd	L	Z	S
RZ8243A38012000	3/8x12	40	22	21
RZ8243A38014000	3/8x14	44	22	25
RZ8243A38015000	3/8x15	44	22	25
RZ8243A12012000	1/2x12	43	25	21
RZ8243A12014000	1/2x14	46	24	25
RZ8243A12015000	1/2x15	46	24	25
RZ8243A12016000	1/2x16	46	24	25
RZ8243A12018000	1/2x18	48	25	27
RZ8243A12022000	1/2x22	49	25	32
RZ8243A34015000	3/4x15	48	26	28
RZ8243A34016000	3/4x16	48	26	28
RZ8243A34018000	3/4x18	49	26	28
RZ8243A34022000	3/4x22	51	27	32
RZ8243A34028000	3/4x28	52	27	38
RZ8243B01022000	1x22	52	28	34
RZ8243B01028000	1x28	54	29	38
RZ8243B01035000	1x35	58	32	46
RZ8243B14028000	1.1/4x28	58	33	42
RZ8243B14035000	1.1/4x35	60	34	46
RZ8243B14042000	1.1/4x42	75	39	56
RZ8243B12035000	1.1/2x35	60	34	48
RZ8243B12042000	1.1/2x42	75	39	56
RZ8243B12054000	1.1/2x54	81	41	68
RZ8243C02054000	2x54	86	46	68

RZ8270 Manchon F, filetage Rp

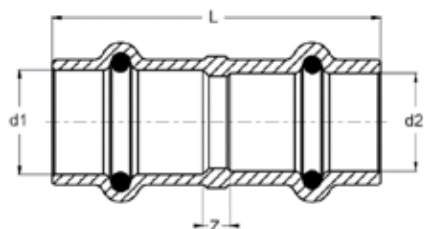
CODE	Rpxd	L	Z	S
RZ8270A38012000	3/8x12	35	5	25
RZ8270A38014000	3/8x14	36	2	25
RZ8270A38015000	3/8x15	36	2	25
RZ8270A12012000	1/2x12	36	3	25
RZ8270A12014000	1/2x14	40	3	25
RZ8270A12015000	1/2x15	40	3	25
RZ8270A12016000	1/2x16	40	3	25
RZ8270A12018000	1/2x18	41	3	27
RZ8270A12022000	1/2x22	41	2	32
RZ8270A34015000	3/4x15	41	2	32
RZ8270A34016000	3/4x16	41	2	32
RZ8270A34018000	3/4x18	44	4	31
RZ8270A34022000	3/4x22	46	5	32
RZ8270A34028000	3/4x28	48	8	38
RZ8270A34035000	3/4x35	50	7	42
RZ8270B01022000	1x22	47	4	38
RZ8270B01028000	1x28	48	4	38
RZ8270B01035000	1x35	47	2	46
RZ8270B14028000	1.1/4x28	50	3	46
RZ8270B14035000	1.1/4x35	52	4	48
RZ8270B14042000	1.1/4x42	64	6	56
RZ8270B12042000	1.1/2x42	65	7	56
RZ8270B12054000	1.1/2x54	75	13	68
RZ8270C02054000	2x54	80	16	68

RB8244 Manchon M, filetage R

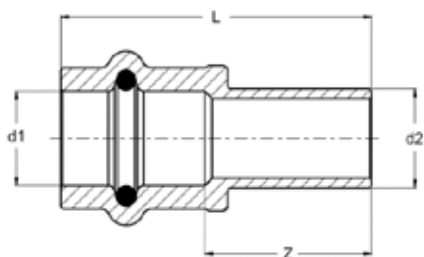
CODE	Rxd	L	S
RB8244A12012000	1/2x12	46	21
RB8244A12015000	1/2x15	49	21
RB8244A12018000	1/2x18	50	21
RB8244A12022000	1/2x22	51	25
RB8244A34018000	3/4x18	53	27
RB8244A34022000	3/4x22	54	27
RB8244B01028000	1x28	57	34
RB8244B14035000	1.1/4x35	64	42
RB8244B12042000	1.1/2x42	74	48

RB8272 Manchon fileté

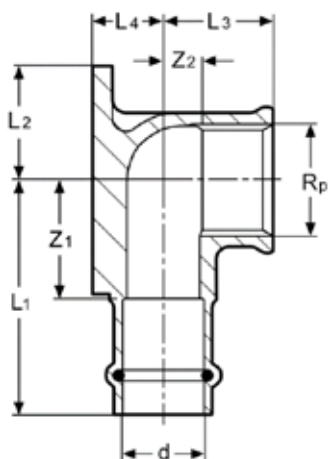
CODE	Rpxd	L	Z	S
RB8272A38012000	3/8x12	37	25	21
RB8272A38015000	3/8x15	41	29	21
RB8272A12012000	1/2x12	41	26	25
RB8272A12015000	1/2x15	45	30	25
RB8272A12018000	1/2x18	46	31	25
RB8272A12022000	1/2x22	47	32	25
RB8272A34018000	3/4x18	48	31	31
RB8272A34022000	3/4x22	49	32	31
RB8272B01028000	1x28	54	34	38
RB8272B14035000	1.1/4x35	57	35	48
RB8272B12042000	1.1/2x42	68	46	55
RB8272C02054000	2x54	76	50	68

RZ8245 Adaptateur FF

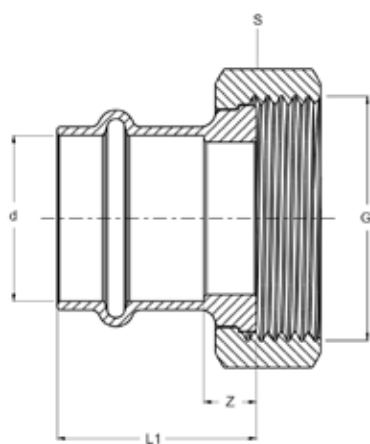
CODE	d1xd2	L	Z
RZ8245015014000	15x14	48	4
RZ8245015016000	15x16	47	3
RZ8245018016000	18x16	48	3

RZ8246 Adaptateur MF

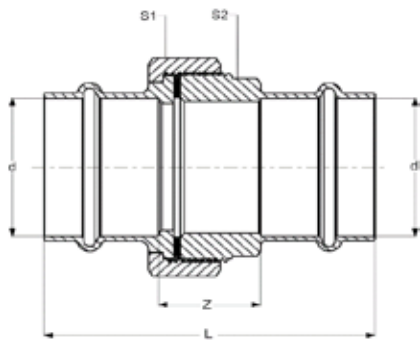
CODE	d1xd2	L	Z1
RZ8246015014000	14x15	51	29
RZ8246015016000	16x15	52	30
RZ8246018016000	16x18	52	30

RZ8471 Coude applique 90°F et filetage Rp

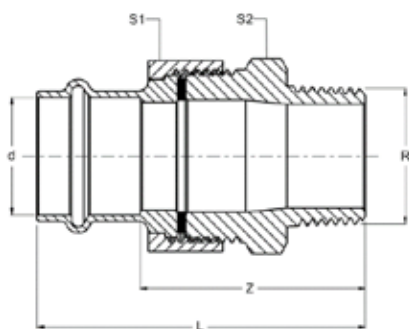
CODE	Rpxd	L1	Z1	L2	L3	Z2	L4
RZ8471A12012000	1/2x12	43	24	22	22	10	12
RZ8471A12015000	1/2x15	44	22	22	22	10	12
RZ8471A12018000	1/2x18	45	22	22	24	12	12
RZ8471A34022000	3/4x22	49	25	28	29	14	20

RZ8359 Raccord écrou prisonnier

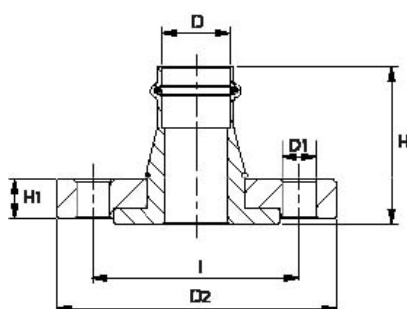
CODE	Gxd	L1	Z	S
RZ8359A12012000	1/2x12	30	12	24
RZ8359A12014000	1/2x14	31	9	24
RZ8359A12015000	1/2x15	44	22	24
RZ8359A12016000	1/2x16	44	22	24
RZ8359A34012000	3/4x12	25	7	30
RZ8359A34014000	3/4x14	29	7	30
RZ8359A34015000	3/4x15	29	7	30
RZ8359A34016000	3/4x16	32	10	30
RZ8359A34018000	3/4x18	32	9	30
RZ8359022A34000	3/4x22	46	22	30
RZ8359A38012000	3/8x12	40	18	20
RZ8359A38014000	3/8x14	43	21	20
RZ8359018B01000	1x18	33	10	37
RZ8359022B01000	1x22	38	14	37
RZ8359028B12000	1.1/2x28	34	9	52
RZ8359B14028000	1.1/4x28	34	9	46
RZ8359035C02000	2x35	34	8	64
RZ8359042C02000	2x42	48	12	64

RZ8340 Union FF à joint plat

CODE	d	L	Z	S1	S2
RZ8340012012000	12	65	29	24	25
RZ8340015015000	15	73	29	24	25
RZ8340018018000	18	78	32	30	31
RZ8340022022000	22	86	38	37	34
RZ8340028028000	28	86	36	46	42
RZ8340035035000	35	93	41	52	50
RZ8340042042000	42	118	46	64	60
RZ8340054054000	54	115	35	85	75

RZ8341 Union F à joint plat, filetage R

CODE	Rxd	L	Z	S1	S2
RZ8341A38012000	3/8x12	63	45	25	25
RZ8341A12012000	1/2x12	61	43	30	30
RZ8341A12015000	1/2x15	66	44	30	30
RZ8341A12018000	1/2x18	69	46	30	30
RZ8341A12022000	1/2x22	83	59	30	30
RZ8341A34015000	3/4x15	69	47	30	30
RZ8341A34018000	3/4x18	72	49	30	30
RZ8341A34022000	3/4x22	86	62	30	30
RZ8341A34028000	3/4x28	81	56	30	30
RZ8341B01022000	1x22	81	57	37	35
RZ8341B01028000	1x28	83	58	46	45
RZ8341B14035000	1.1/4x35	88	62	52	50
RZ8341B12042000	1.1/2x42	98	62	64	60
RZ8341C02054000	2x54	106	66	85	75

RZ8273 Bride de transition, raccord à sertir F

CODE	D	D1	D2	H	H1	I
RZ8273028000000	28	14	115	65	16	85
RZ8273035000000	35	18	140	70	18	100
RZ8273042000000	42	18	150	83	18	110
RZ8273054000000	54	18	165	90	20	125

Frabo décline toute responsabilité pour des inexactitudes dues à des erreurs d'impression. Frabo se réserve le droit, à tout moment et sans préavis, d'apporter des modifications aux spécifications des produits dans le but d'en améliorer l'utilisation.



FRA.BO s.p.A.

SIÈGE LÉGAL
USINE

Via Cadorna, 30 - 25027 Quinzano d'Oglio (BS) - Italy
Via Circonvallazione, 7- 26020 Bordolano (CR) - Italy

T +39 030 99 25 711 F +39 030 99 24 127 @ info@frabo.com W www.frabo.com