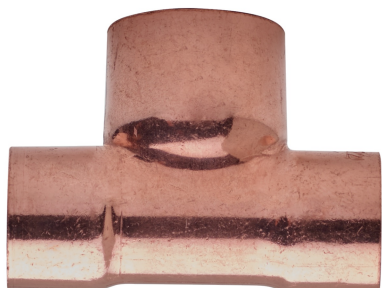
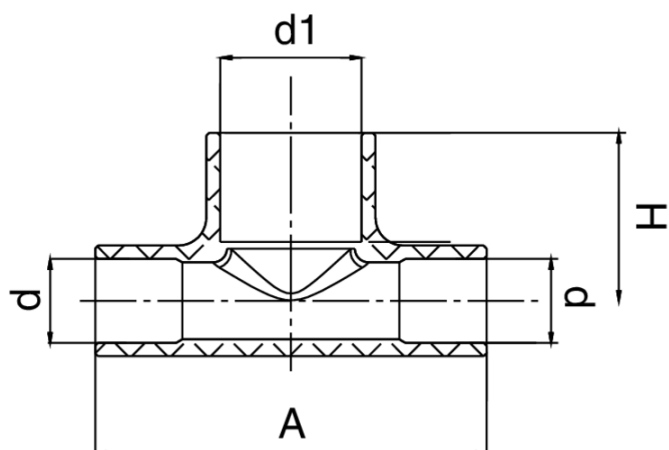


## RR5130

Raccordo a T femmina ridotto simmetrico.



### Specifiche tecniche



| D X D1 X D   | BAG | MASTER BOX | CODICE          | A    | H    |
|--------------|-----|------------|-----------------|------|------|
| 6 x 8 x 6    | 10  | 600        | RR5130006008006 | 26   | 12   |
| 6 x 10 x 6   | 10  | 500        | RR5130006010006 | 28   | 14   |
| 8 x 10 x 8   | 10  | 600        | RR5130008010008 | 31   | 15   |
| 10 x 12 x 10 | 10  | 500        | RR5130010012010 | 33   | 16   |
| 10 x 15 x 10 | 10  | 300        | RR5130010015010 | 33   | 18,5 |
| 12 x 14 x 12 | 10  | 300        | RR5130012014012 | 34,5 | 18,5 |
| 12 x 15 x 12 | 10  | 300        | RR5130012015012 | 34,5 | 18,5 |
| 12 x 16 x 12 | 10  | 300        | RR5130012016012 | 37   | 19,5 |
| 12 x 18 x 12 | 10  | 300        | RR5130012018012 | 48   | 22   |
| 12 x 22 x 12 | 10  | 250        | RR5130012022012 | 52   | 26   |
| 14 x 16 x 14 | 10  | 250        | RR5130014016014 | 39   | 19,5 |
| 14 x 18 x 14 | 10  | 150        | RR5130014018014 | 42,5 | 21   |
| 14 x 20 x 14 | 10  | 200        | RR5130014020014 | 45   | 24   |
| 14 x 22 x 14 | 10  | 250        | RR5130014022014 | 45   | 25   |
| 15 x 18 x 15 | 10  | 300        | RR5130015018015 | 42   | 22   |
| 15 x 22 x 15 | 10  | 250        | RR5130015022015 | 47   | 26   |
| 15 x 28 x 15 | 10  | 100        | RR5130015028015 | 55   | 30   |
| 16 x 18 x 16 | 10  | 300        | RR5130016018016 | 42   | 22   |
| 16 x 20 x 16 | 10  | 250        | RR5130016020016 | 43   | 25   |
| 16 x 22 x 16 | 10  | 250        | RR5130016022016 | 43   | 25   |
| 18 x 20 x 18 | 10  | 250        | RR5130018020018 | 51   | 27   |
| 18 x 22 x 18 | 10  | 250        | RR5130018022018 | 51   | 27   |
| 18 x 28 x 18 | 10  | 50         | RR5130018028018 | 73   | 35   |
| 20 x 22 x 20 | 10  | 200        | RR5130020022020 | 52   | 28   |
| 22 x 28 x 22 | 5   | 130        | RR5130022028022 | 62,5 | 33   |
| 22 x 35 x 22 | 5   | 100        | RR5130022035022 | 70   | 36   |
| 28 x 35 x 28 | 5   | 70         | RR5130028035028 | 85   | 40   |
| 28 x 42 x 28 | 5   | 50         | RR5130028042028 | 92   | 44   |
| 35 x 42 x 35 | 5   | 40         | RR5130035042035 | 93   | 48,5 |
| 42 x 54 x 42 | 1   | 10         | RR5130042054042 | 125  | 60   |
| 54 x 67 x 54 | 1   | 8          | RR5130054067054 | 135  | 75   |

## Applicazioni



DRINKING  
WATER



HEATING



HVAC



GAS



COMPRESSED  
AIR



SOLAR



INDUSTRIAL