



FRABO

frabo
press
M
ZM9002

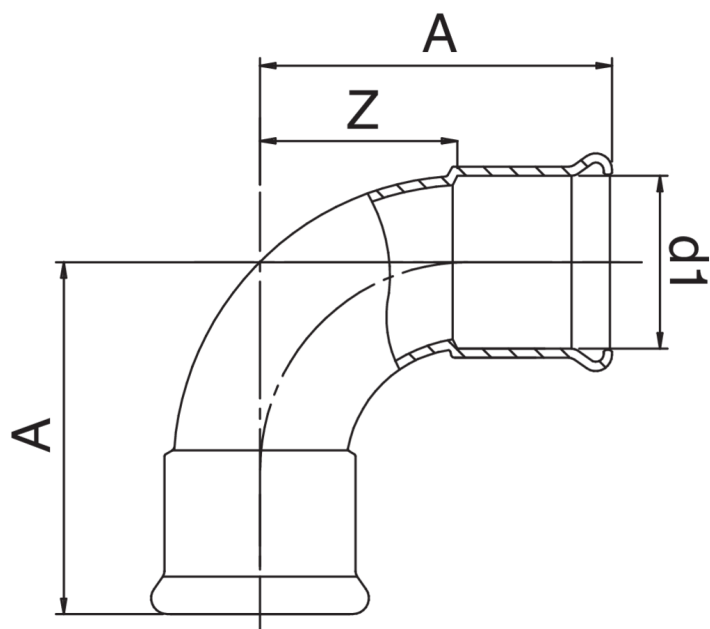
BREVETTATO



Curva 90° F/F in rame.



Specifiche tecniche



D1	BAG	MASTER BOX	CODICE	A	Z
12	10	250	ZM9002012012000	31	13
15	10	150	ZM9002015015000	36	19
18	10	100	ZM9002018018000	41	19
22	10	60	ZM9002022022000	46	21
28	5	40	ZM9002028028000	57	22
35	5	30	ZM9002035035000	62	25
42	1	10	ZM9002042042000	76	29
54	1	7	ZM9002054054000	94	34

Applicazioni



DRINKING
WATER



HEATING



HVAC



COMPRESSED
AIR



FIREFIGHTING