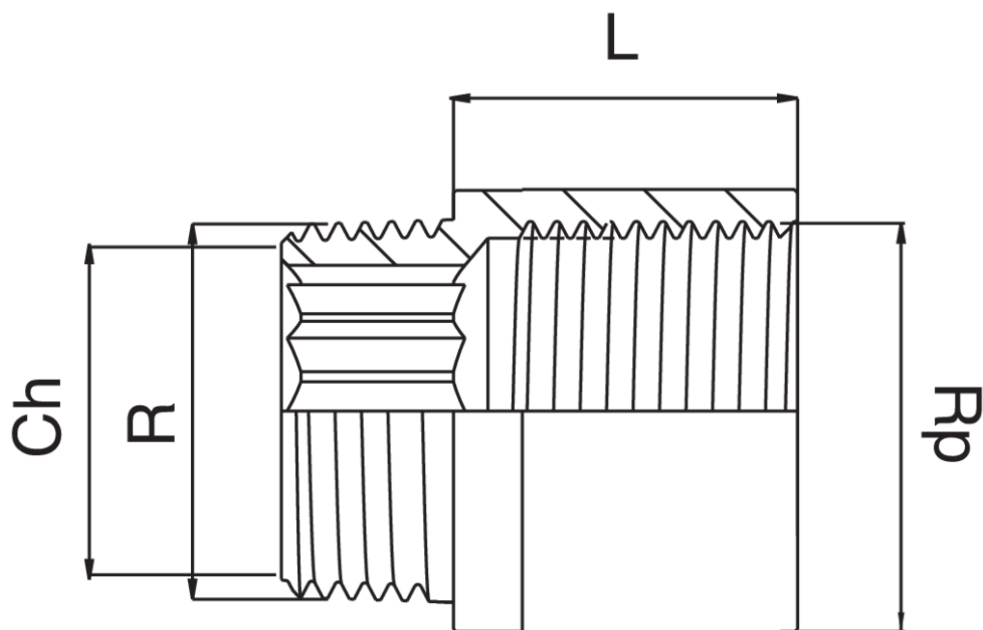


RB3525

Prolunga filettata maschio-femmina.



Specifiche tecniche



L X R P X R	BAG	MASTER BOX	CODICE	CH
10 x 3/8" x 3/8"	5	250	RB3525A38010000	10
10 x 1/2" x 1/2"	10	150	RB3525A12010000	12
10 x 3/4" x 3/4"	10	100	RB3525A34010000	17
12,5 x 1/2" x 1/2"	10	150	RB3525A1212M000	12
12,5 x 3/4" x 3/4"	10	100	RB3525A3412M000	17
15 x 3/8" x 3/8"	5	250	RB3525A38015000	10
15 x 1/2" x 1/2"	10	150	RB3525A12015000	12
15 x 3/4" x 3/4"	10	100	RB3525A34015000	17
15 x 1" x 1"	5	50	RB3525B01015000	22
17,5 x 1/2" x 1/2"	10	150	RB3525A1217M000	12
20 x 3/8" x 3/8"	5	200	RB3525A38020000	10
20 x 1/2" x 1/2"	10	150	RB3525A12020000	12
20 x 3/4" x 3/4"	10	100	RB3525A34020000	17
20 x 1" x 1"	5	50	RB3525B01020000	22
20 x 1"1/4 x 1"1/4	10	30	RB3525B14020000	27
25 x 3/8" x 3/8"	5	200	RB3525A38025000	10
25 x 1/2" x 1/2"	10	150	RB3525A12025000	12
25 x 3/4" x 3/4"	10	100	RB3525A34025000	17
25 x 1" x 1"	5	50	RB3525B01025000	22
25 x 1"1/4 x 1"1/4	10	30	RB3525B14025000	27
30 x 3/8" x 3/8"	5	150	RB3525A38030000	10
30 x 1/2" x 1/2"	10	100	RB3525A12030000	12
30 x 3/4" x 3/4"	5	70	RB3525A34030000	17
30 x 1" x 1"	5	50	RB3525B01030000	22
30 x 1"1/4 x 1"1/4	10	30	RB3525B14030000	27
35 x 1/2" x 1/2"	5	100	RB3525A12035000	12
40 x 3/8" x 3/8"	5	150	RB3525A38040000	10
40 x 1/2" x 1/2"	10	100	RB3525A12040000	12
40 x 3/4" x 3/4"	5	50	RB3525A34040000	17
40 x 1" x 1"	5	40	RB3525B01040000	22
40 x 1"1/4 x 1"1/4	10	20	RB3525B14040000	27
45 x 1/2" x 1/2"	10	100	RB3525A12045000	12
50 x 3/8" x 3/8"	5	150	RB3525A38050000	10
50 x 1/2" x 1/2"	5	50	RB3525A12050000	12
50 x 3/4" x 3/4"	5	40	RB3525A34050000	17
50 x 1" x 1"	5	40	RB3525B01050000	22
50 x 1"1/4 x 1"1/4	10	20	RB3525B14050000	27
65 x 3/8" x 3/8"	5	100	RB3525A38065000	10
65 x 1/2" x 1/2"	5	50	RB3525A12065000	12
65 x 3/4" x 3/4"	5	30	RB3525A34065000	17
65 x 1" x 1"	5	30	RB3525B01065000	22
80 x 3/8" x 3/8"	5	100	RB3525A38080000	10
80 x 1/2" x 1/2"	5	50	RB3525A12080000	12
80 x 3/4" x 3/4"	5	30	RB3525A34080000	17
80 x 1" x 1"	5	20	RB3525B01080000	22
100 x 3/8" x 3/8"	5	50	RB3525A38100000	10
100 x 1/2" x 1/2"	5	30	RB3525A12100000	12
100 x 3/4" x 1"	5	30	RB3525A34100000	17
100 x 1" x 1"	5	20	RB3525B01100000	22
120 x 1/2" x 1/2"	5	30	RB3525A12120000	12
150 x 1/2" x 1/2"	5	30	RB3525A12150000	12
180 x 1/2" x 1/2"	5	30	RB3525A12180000	12

Applicazioni



DRINKING
WATER



HEATING



HVAC



GAS



COMPRESSED
AIR



SOLAR



FIREFIGHTING

